

SCALE 1/1

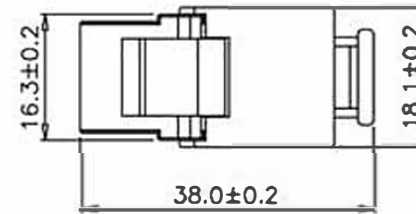
Specification :

Material :

1. RJ45 Jack Shield : Bronze with Nickel plated.
2. RJ45 Jack :
 - 2-1. Housing : ABS+PC, UL 94V-0.
 - 2-2. Contact Bracket : PC, UL 94V-2, Transparent color.
3. RJ45 Jack Contact :
 - 3-1. Material : Phosphor Bronze with Nickel plated
 - 3-2. Finish : 50 micro-inch Gold plated on Plug contact area.
4. IDC :
 - 4-1. Housing : PC+Glass Fiber, UL 94V-2.
 - 4-2. Terminal : Phosphor Bronze with Tin plated.
5. IDC CAP A&B : Zinc Die-Casting with Nickel plated.
6. PCB : FR4, UL 94V-0.

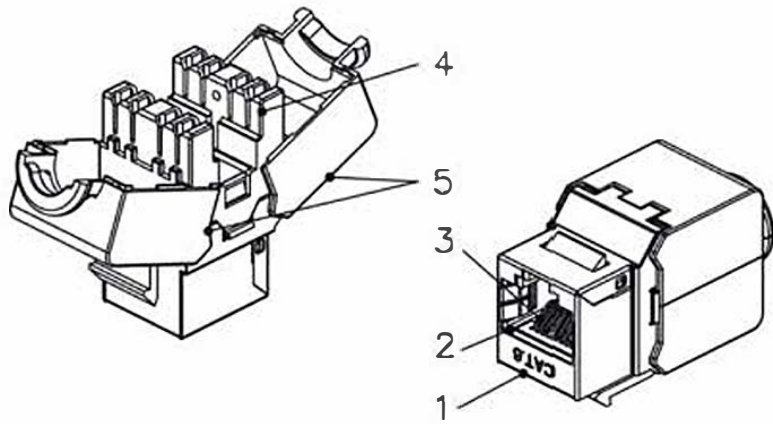
Performance :

- a. T568A & T568B wiring sticker.
- b. Insertion force : 30N max. (IEC 60603-7-5)
- c. Retention strength : 7.7 kg between Jack and Plug.
- d. Operating temperature : -10°C to 60°C. (ISO/IEC 11801, ANSI/TIA/EIA 568 B.2)
- e. Life (mating cycles) :
 - *Jock : 750 cycles min. (ISO/IEC 11801, IEC 60603-7-5)
 - *IDC : Suitable for 22-26 AWG stranded and solid wire, compatible with both 110 & Krone punch down tools.
- f. The Cat.5e transmission performance is in compliance with the ANSI/TIA/EIA 568 B.2 standard.

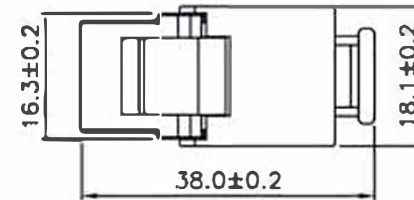
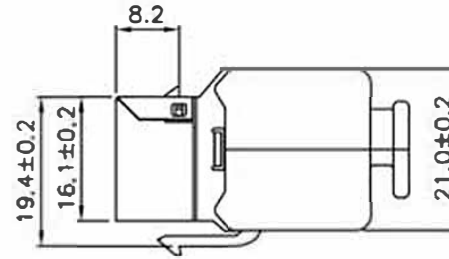
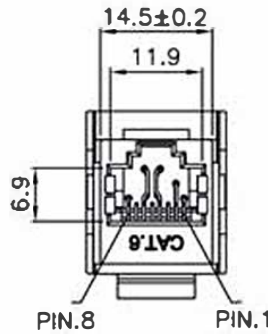


GENERAL TOLERANCE OF DIMENSIONS X.XXX ±0.008 X.XX ±0.05 X.X ±0.1	DRAWING	05.MAY.2011	YLL	ACT
	CHECK	05.MAY.2011	JANE	
	APPROVAL	05.MAY.2011	JAIMY	
	DATE	NAME		TD5021
	SCALE 1/1 (A4)	UNIT mm	DES.: CAT.5E FULL SHIELDED KEYSTONE JACK	
	DRAWING NO.			
	DRAWING CLASSIFICATION		S	SHEET 1 OF 1





SCALE 1/1



Specification :

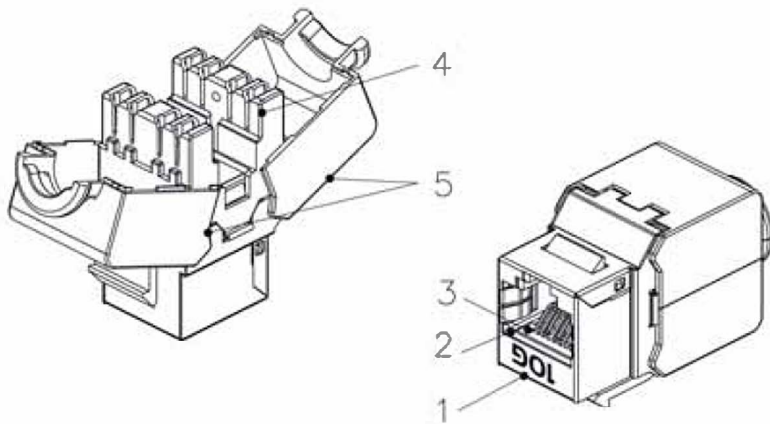
Material :

1. RJ45 Jack Shield : Bronze with Nickel plated.
2. RJ45 Jack :
 - 2-1. Housing : ABS+PC, UL 94V-0.
 - 2-2. Contact Bracket : PC, UL 94V-2, Transparent color.
3. RJ45 Jack Contact :
 - 3-1. Material : Phosphor Bronze with Nickel plated
 - 3-2. Finish : 50 micro-inch Gold plated on Plug contact area.
4. IDC :
 - 4-1. Housing : PC+Glass Fiber, UL 94V-2.
 - 4-2. Terminal : Phosphor Bronze with Tin plated.
5. IDC CAP A&B : Zinc Die-Casting with Nickel plated.
6. PCB : FR4, UL 94V-0.

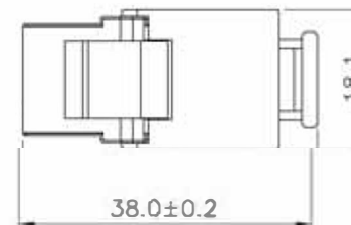
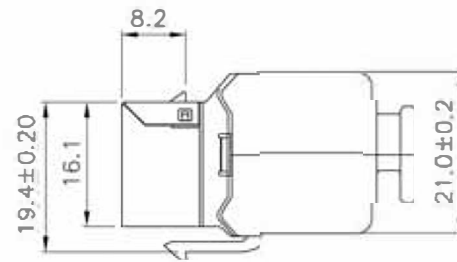
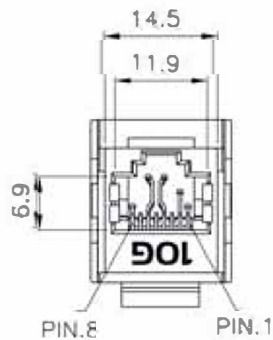
Performance :

- a. T568A & T568B wiring sticker.
- b. Insertion force : 30N max. (IEC 60603-7-5)
- c. Retention strength : 7.7 kg between Jack and Plug.
- d. Operating temperature : -10°C to 60°C. (ISO/IEC 11801, ANSI/TIA/EIA 568 B.2)
- e. Life(mating cycles) :
 - *Jack : 750 cycles min. (ISO/IEC 11801, IEC 60603-7-5)
 - *IDC : Suitable for 22-26 AWG stranded and solid wire, compatible with both 110 & Krone punch down tools.
- f. The Cat.6 transmission performance is in compliance with the ANSI/TIA/EIA 568 B.2-1 standard.

GENERAL TOLERANCES OF DIMENSIONS X.XXX ±0.005 X.XX ±0.05 X.X ±0.1	DRAWING	05.MAY.2011	YLL	ACT
	CHECK	05.MAY.2011	JANE	
	APPROVAL	05.MAY.2011	JAIMY	
		DATE	NAME	TD6021
SCALE 1/1 (A4)		UNIT	mm	DES.: CAT.6 FULL SHIELDED KEYSTONE JACK
DRAWING NO.		DRAWING CLASSIFICATION		
DRAWING CLASSIFICATION		S	SHEET	1 OF 1
A7				



SCALE 1/1



Specification :

Material :

1. Shield : Bronze with Nickel plated.
2. RJ45 Jack :
 - 2-1. Housing : ABS + PC, UL 94V-0.
 - 2-2. Contact Bracket : Polycarbonate, UL 94-HB, Transparent color.
3. RJ45 Jack Contact :
 - 3-1. Material : Phosphor Bronze with Nickel plated.
 - 3-2. Finish : 50 micro-inch Gold plated on Plug contact area.
4. IDC :
 - 4-1. Housing : PC+Glass Fiber, UL 94-HB.
 - 4-2. Terminal : Phosphor Bronze with Tin plated.
5. CAP : Zinc Die-Casting with Nickel plated.
6. PCB : FR4, UL 94V-0.

Performance :

- a. T568A & T568B wiring sticker.
- b. Insertion Force : 30N max. (IEC 60603-7-5)
- c. Retention Strength : 7.7 kgs between Jack and Plug.
- d. Operating temperature : -10°C to 60°C. (ISO/IEC 11801, ANSI/TIA/EIA 568 B.2).
- e. Life(mating cycles) :
 - *Jack : 750 cycles min. (ISO/IEC 11801, IEC 60603-7-5)
 - * IDC : Suitable for 22-26 AWG stranded and solid wire, compatible with both 110 & Krone punch down tools.
- f. The 10G channel transmission performance is in compliance with TIA/EIA 568B.2-10 10G & ISO/IEC 11801 standard.

GENERAL TOLERANCE OF DIMENSIONS X.XXX ±0.005 X.XX ±0.05 X.X ±0.1	DRAWING	18.MAY.2011	QIQI	ACT	
	CHECK	18.MAY.2011	JANE		
	APPROVAL	18.MAY.2011	JAIMY		
		DATE	NAME	TD6511	
	SCALE	1/1 (A4)	UNIT	mm	DES.: 10G 180° Keystone Jack
	DRAWING NO.		DRAWING CLASSIFICATION		
	DRAWING CLASSIFICATION				
	S	SHEET	1 OF 1	A3	