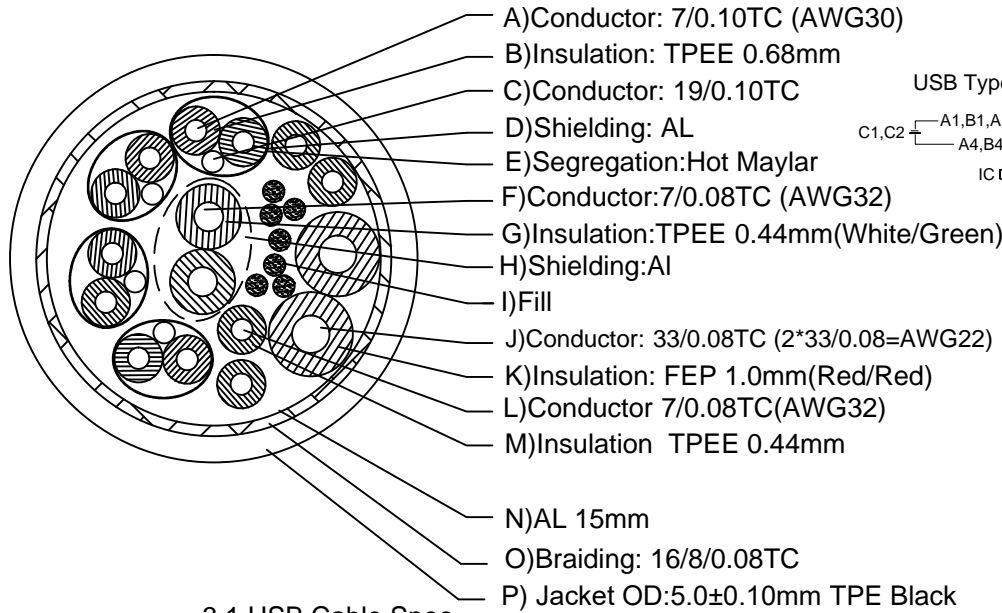
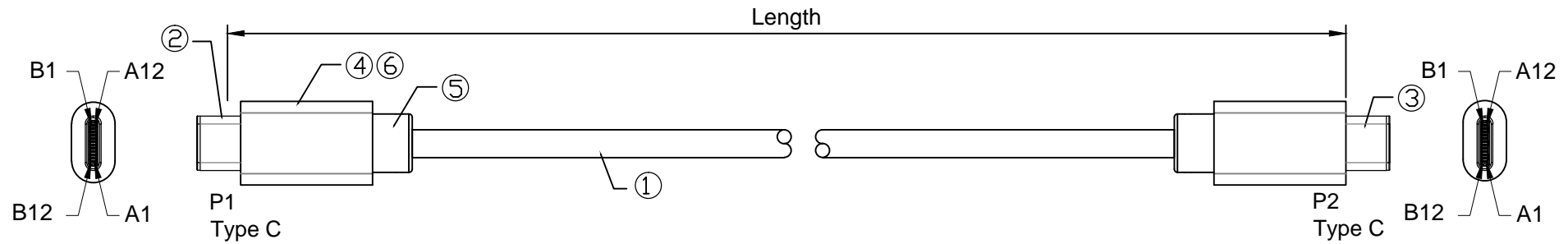
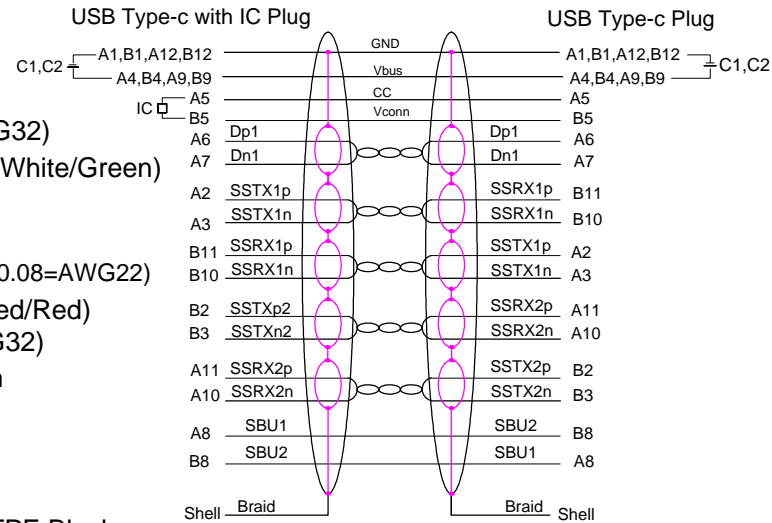


RoHS CompliantU



3.1 USB Cable Spec.

CONNECTION

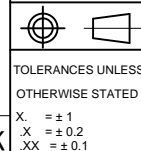


Remark:

- 100% Open/Short Test
- Conductive Resistance: 2ohms MAX
- Insulation Resistance: 5M ohm MIN.
- The product is Reach/RoHS compliant.
- With Emark Chipset to support 10G
- Support 3.1 Gen2 (20V/5A 100W)/ Thunderbolt3.

Item No.	Length(m)
SB0028	1.0m

ITEM	DESCRIPTIONS & SPECIFICATIONS	QTY	REMARK
⑥	Shell	ABS Shell, Black	2PCS
⑤	External Mold	Outer Mould 45P PVC, Black	2PCS
④	Inernal Mold	Inner Mould PE	2PCS
③	Connector	USB Type C, PCBA(W/Capacitor, Resistor)	1PC
②	Connector	USB Type C, PCBA(W/E-Marker, Capacitor, Resistor)	1PC
①	Cable	[(7/0.10TC+0.68TPEE)*1P+D(19/0.10)+AL+Mylar]*4P + [7/0.08TC+0.44TPEE(White/Green)]*1P + [33/0.08TC+0.88FEP(Red/Red)]*2C+(7/0.08TC+0.44TPEE)*4C +filler+AL+16/8/0.08TC+TPE OD5.0mm Black	



AC			
ERP NO.:		SAMPLE DWG NO.:	
DOC No.:		REVISION	A0
CUSTOMER:		UNIT	mm
CUSTOMER P/N:	SB0028	SCALE	NO
DESCRIPTION	USB 3.1 GEN2 Type C male to Type C male	PAGE NO	1/1
		DATE	2018/11/09
APPROVAL		CHECKED	
		DRAWN	