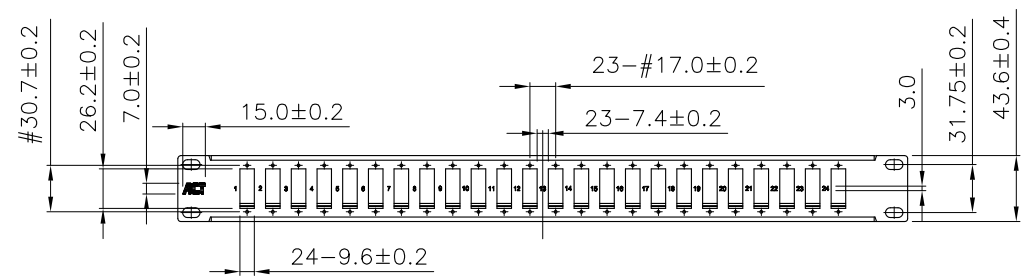
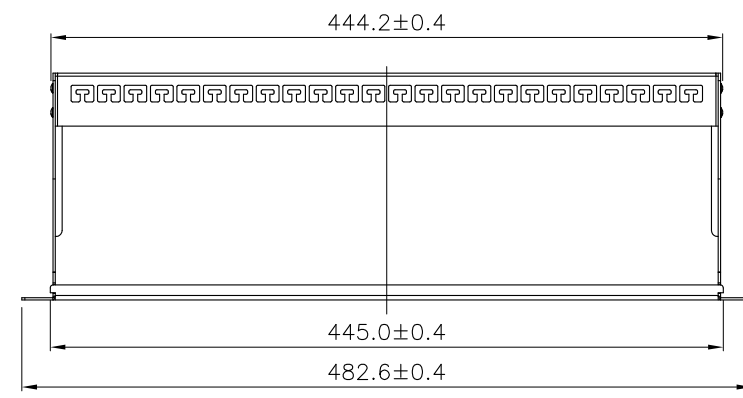
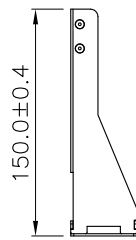
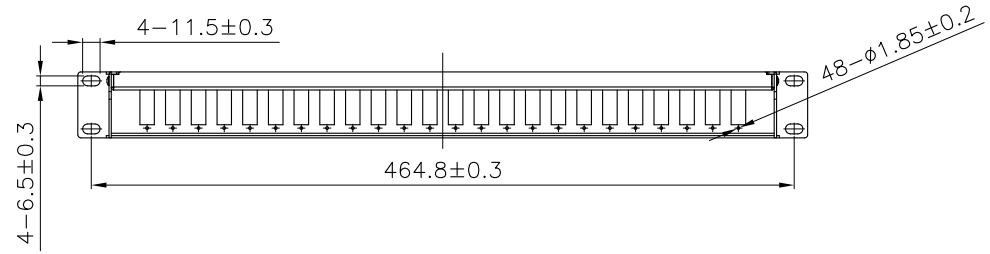


SCALE 1/5



Specification :

- 1.Support bar: SPCC, 1.5mm thickness, black color.
- 2.Panel: SPCC, 1.5mm thickness, black color.

Remarks :

- a.Dimension: Width: 19"(482.6mm) x Depth: 5.9"(150.0mm) x Height: 1.7"(43.6mm)
- b.Net weight: 0.6kg.

"#": Matching DIM. "*" : Important DIM. Others General DIM. GENERAL TOLERANCE OF DIMENSIONS X.XXX ±0.005 X.XX ±0.05 X.X ±0.1	DRAWING	03.NOV.2020	DANIEL		
	CHECK	03.NOV.2020	DAY		
	APPROVAL	03.NOV.2020	FRANK		
	DATE	NAME	ITEM NO.: FA2097		
	SCALE	1/5 (A4)	UNIT	mm	DES.: ACT FIBER PANEL 24 PORTS DX SC FOOTPRINT
	DRAWING NO. ACT FIBER PANEL 24 PORTS DX SC FOOTPRINT(S01)				
	DRAWING CLASSIFICATION		S	SHEET 1 OF 2	