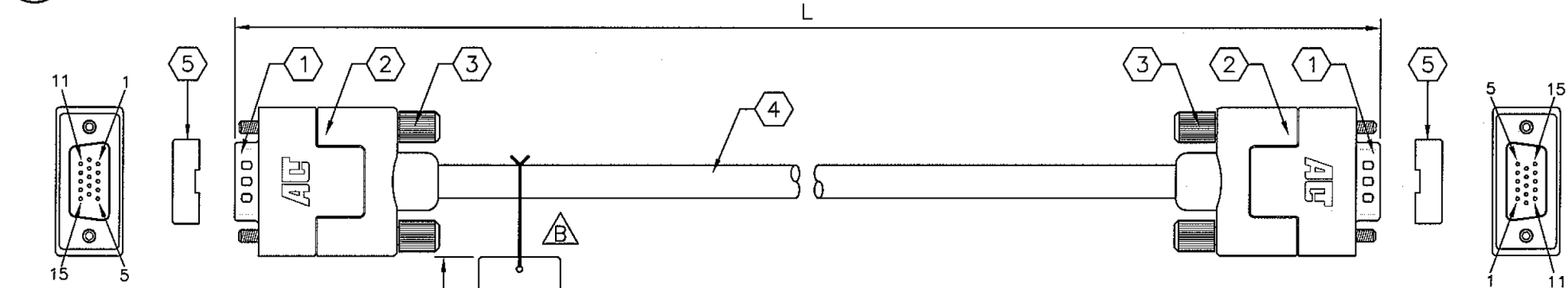


ALL MATERIAL ARE RoHS AND CALIFORNIA PROP.65 COMPLIANT

CUSTOMER'S APPROVAL: _____

DATE: Oct 15th 2009

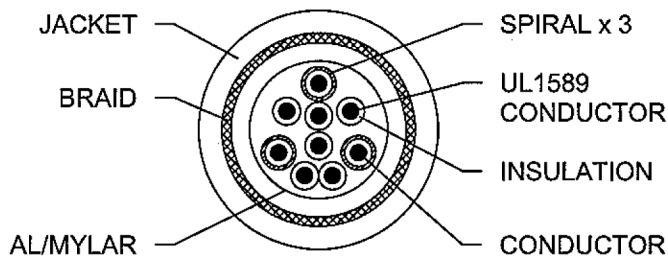
FIRST ARTICLE SAMPLE REQUIRED: YES, NO.



WIRE MARKING:
ACT **RU** AWM 20276 80°C 30V VW-1
 ACT Ultra High Performance cable IIC-code
 LEADFREE RoHS Compliant

PINOUT CONFIGURATION

| HD15 MALE | | HD15 MALE |
|-----------|-----------|-----------|
| 1 | RED CEN. | 1 |
| 2 | GRN CEN. | 2 |
| 3 | BLUE CEN. | 3 |
| 6 | RED GND. | 6 |
| 7 | GRN GND. | 7 |
| 8 | BLUE GND. | 8 |
| 5 | WHITE | 5 |
| 4,10,11 | | 4,10,11 |
| 9 | ORANGE | 9 |
| 12 | GREEN | 12 |
| 13 | BROWN | 13 |
| 14 | BLACK | 14 |
| 15 | YELLOW | 15 |
| SHELL | BRAID | SHELL |



| P/N | L±(mm) |
|--------|----------|
| AK9360 | 1800±50 |
| AK9363 | 3000±100 |
| AK9365 | 5000±150 |
| AK9367 | 7000±200 |

- NOTE:**
1. EACH CABLE W/TEST REPORT CARD
 2. WIRE MARKING WITH ACT LOGO PRINTING
 3. PE BAG WITH BARCODE LABEL
 4. SMOOTH JACKET, OD=8.0mm

UNIT: mm

| ITEM | DESCRIPTION | QTY. | UNIT |
|------|--|------|------|
| * | 1 HD15 MALE CONNECTOR W/GOLD PLATED PINS & SHELL | 1 | PCS. |
| * | 2 PAT. NO.:US 6,287,148 B1 RF-BLOK™ MATT BLACK NICKEL PLATED+RECESSED ACT LOGO | 2 | PCS. |
| | 3 BLACK #4/40 THUMBSCREW | 4 | PCS. |
| * | 4 UL20276 (28AWG COAX+SPIRAL)x3C+(28AWG WIRE)x6C +AL/MYLAR+85% BRAID OVERALL; BLACK PVC "SMOOTH" JACKET, OD=ø8.0mm | SEE | DWG. |
| | 5 TRANSPARENT PROTECTION CAP | 2 | PCS. |

| REV. | DESCRIPTION | DATE | REVISED BY |
|------|----------------------|-----------|------------|
| A | CHANGE WIRE MARKING | AUG.03.09 | STANLEY |
| B | ADD TEST REPORT CARD | SEP.16.09 | STANLEY |

| | |
|-------------------|--------------------|
| Part Number: | Revision: |
| SEE TABLE | B |
| RFQ number: | Drawing#: 98072215 |
| Drawn by: STANLEY | Scale: None |
| Checked by: | Date: 07/22/2009 |

ACT

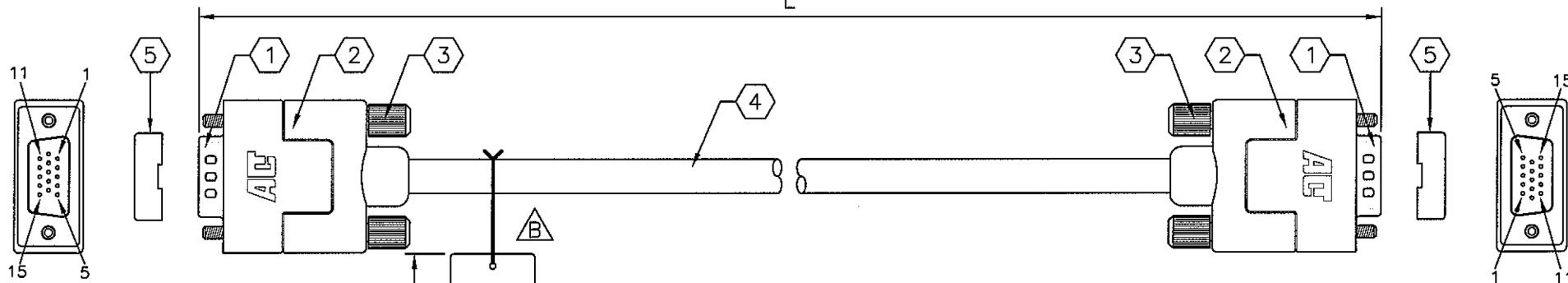
SALES: LILIAN

ALL MATERIAL ARE RoHS AND CALIFORNIA PROP.65 COMPLIANT

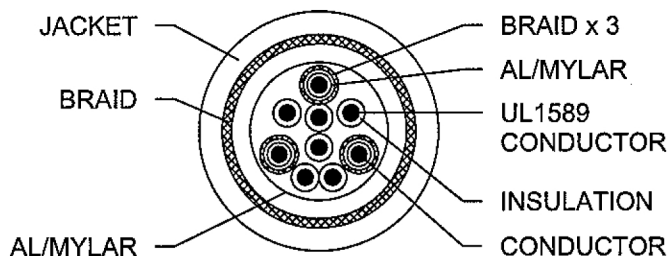
CUSTOMER'S APPROVAL: *[Signature]*

DATE: *Oct 15th, 2009*

FIRST ARTICLE SAMPLE REQUIRED: YES, NO.



WIRE MARKING:
ACT **FU** AWM 20276 80°C 30V VW-1
 ACT Ultra High Performance cable IIC-code
 LEADFREE RoHS Compliant



| P/N | L±(mm) |
|--------|-----------|
| AK9369 | 10000±250 |
| AK9371 | 15000±250 |
| AK9373 | 20000±250 |
| AK9375 | 25000±250 |
| AK9377 | 30000±250 |

- NOTE:**
1. EACH CABLE W/TEST REPORT CARD **ACT**
 2. WIRE MARKING WITH ACT LOGO PRINTING
 3. PE BAG WITH BARCODE LABEL
 4. SMOOTH JACKET, OD=8.0mm

PINOUT CONFIGURATION

| HD15 MALE | | HD15 MALE |
|-----------|-----------|-----------|
| 1 | RED CEN. | 1 |
| 2 | GRN CEN. | 2 |
| 3 | BLUE CEN. | 3 |
| 6 | RED GND. | 6 |
| 7 | GRN GND. | 7 |
| 8 | BLUE GND. | 8 |
| 5 | WHITE | 5 |
| 4,10,11 | | 4,10,11 |
| 9 | ORANGE | 9 |
| 12 | GREEN | 12 |
| 13 | BROWN | 13 |
| 14 | BLACK | 14 |
| 15 | YELLOW | 15 |
| SHELL | BRAID | SHELL |

UNIT: mm

| ITEM | DESCRIPTION | QTY. | UNIT |
|------|--|------|------|
| * 1 | HD15 MALE CONNECTOR W/GOLD PLATED PINS & SHELL | 2 | PCS. |
| * 2 | PAT. NO.:US 6,287,148 B1 RF-BLOK™ MATT BLACK NICKEL PLATED+RECESSED ACT LOGO | 2 | PCS. |
| 3 | BLACK #4/40 THUMBSCREW | 4 | PCS. |
| * 4 | UL20276 (28AWG COAX+AL/MYLAR+65% BRAID)x3C +(28AWG WIRE)x6C+AL/MYLAR+85% BRAID OVERALL; BLACK PVC "SMOOTH" JACKET, OD=ø8.0mm | SEE | DWG. |
| 5 | TRANSPARENT PROTECTION CAP | 2 | PCS. |

| REVISED DETAILS | | DATE | REVISED BY |
|-----------------|----------------------|-----------|------------|
| REV. | DESCRIPTION | DATE | REVISED BY |
| A | CHANGE WIRE MARKING | AUG.03.09 | STANLEY |
| B | ADD TEST REPORT CARD | SEP.16.09 | STANLEY |

| | |
|-------------------|--------------------|
| Part Number: | Revision: |
| SEE TABLE | B |
| RFQ number: | Drawing#: 98072216 |
| Drawn by: STANLEY | Scale: None |
| Checked by: | Date: 07/22/2009 |



SALES: LILIAN