




# AK5288

PC2062

**CABLE REQUIREMENTS:**

**Colour:** BLACK  
**Type:** 3 Core 1.00mm<sup>2</sup> H05VV-F (European Approved)  
**Conductor Colour Codes:**  
 Earth (Green & Yellow)   
 Neutral (Blue)   
 Live (Brown) 

**Complete Powerlead Rated:** 10A/250V

**PLUG / END A REQUIREMENTS:**

**Type:** FREE END  
**Colour:** N/A  
**Rating:** N/A  
**Reference:**

**CONNECTOR / END B REQUIREMENTS:**

**Type:** SG597L  
**Colour:** BLACK  
**Rating:** 10A  
**Reference:** L/A C13 IEC Lock+ Connector (European Approved)

**H05VV-F Cable**

**SG597L**

VDE Approved - 40015762

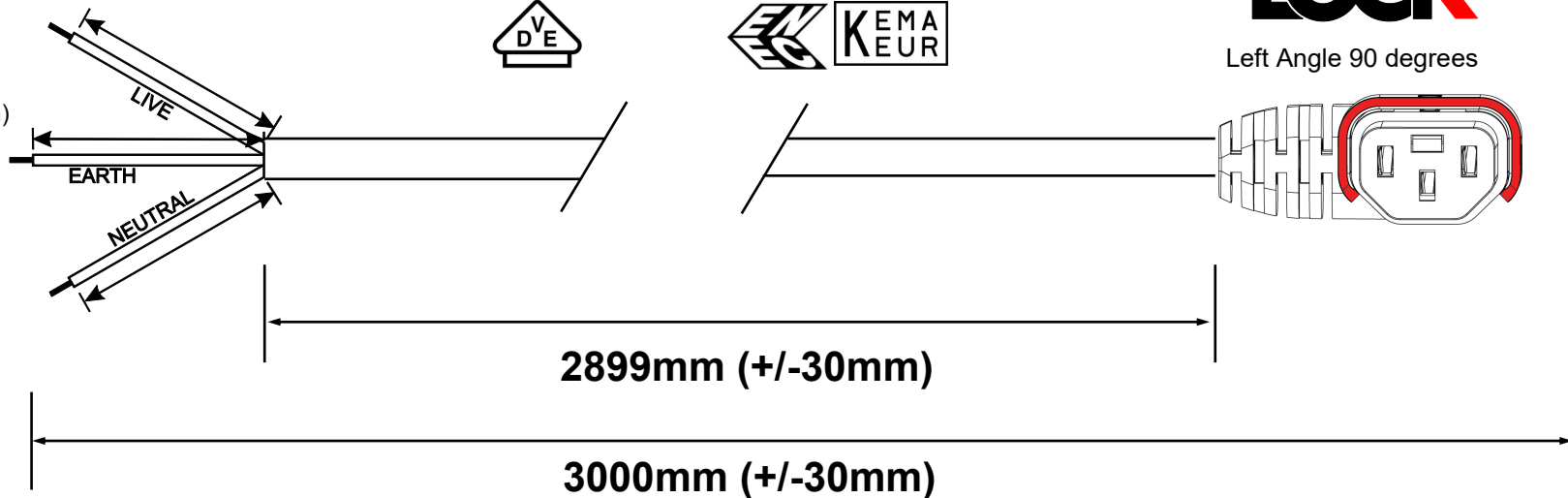
ENEC / KEMA-KEUR - Certificate: 35-105414



Left Angle 90 degrees

**Free End Overall Strip Lengths (Includes Terminations)**

Live = 50mm (+/- 5mm)  
 Earth = 50mm (+/- 5mm)  
 Neutral = 50mm (+/- 5mm)



**EXTRA REQUIREMENTS:**

PACKAGING OUTER .....TBC  
 PIN PROTECTING COVER .....NO  
 WIRING INSTRUCTIONS .....NO  
 PRE-SHIPMENT INSPECTION REQUIRED.....NO

**COMMENTS:**

**CHANGE MANAGEMENT:**

**HANKING**

**Fig.8 (200mm)**

**TERMINATIONS / FURTHER COMMENTS:**

LIVE / BROWN	NEUTRAL / BLUE	EARTH / GREEN & YELL
Type: Stripped	Type: Stripped	Type: Stripped
Size: 6mm	Size: 6mm	Size: 6mm