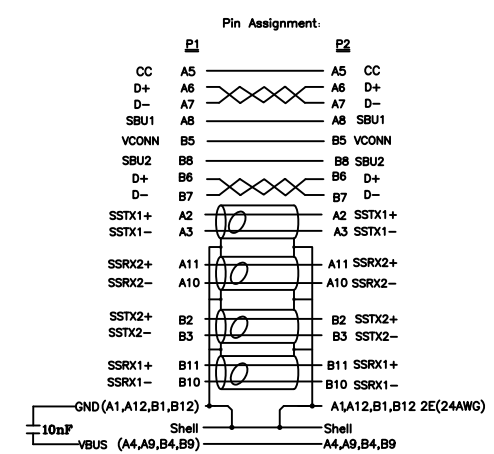
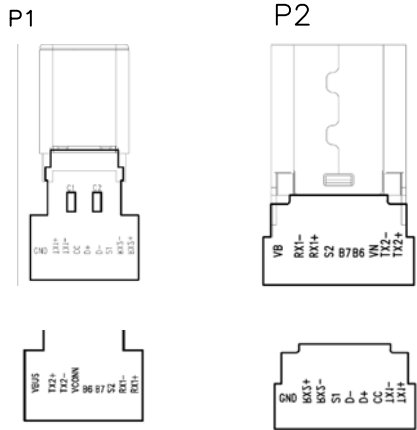
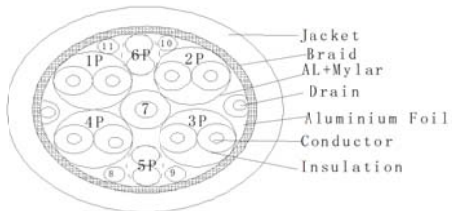


Test conditions:

1. 100% short circuit & open circuit & dislocation test.
2. Insulation impedance :10M ohm(MIN) DC 300V/10ms
3. Conduction impedance :3 ohm(MAX).
4. The measured transmission speed is above 300M



NO	ITEM	DESCRIPTION	Q'TY	UNIT
11	TYPE C Wire clip 30+32+22AWG		2	pcs
10	Double conductive copper foil		0.08	M
9	USB TYPE C on Meta Can		1	pcs
8	USB TYPE C Under the Meta Can		1	pcs
7	PVC~45P~Black		12	g
6	Low pressure molding material		1	g
5	Heat shrinkable casing: $\phi$ 1.0		0.02	M
4	Heat shrinkable casing: $\phi$ 2.0*7mm		0.024	M
3	USB3.1 C Type Connector With PCB+SMT		1	pcs
2	USB3.1 CF PCB+SMT Nickel plating		1	pcs
1	USB3.1 [30AWG (7/0.103TC)+EAM]*4P+32AWG (7/0.08TC)*2P+34AWG (7/0.06TC)*4C+22AWG (26/0.127TC)*1C+A2EB (24/11/0.06TC 85%) OD:5.2MM~ Black		2.0	M

REV.	TOLERANCE	DESCRIPTION	DATE
	INCHES	<b>ACT</b>	
	M/M		
.X	.015		
.XX	.010		
.XXX	.005		
DRAWN BY	Shijie	CUSTOMER :	
CHECK BY		CUSTOMER P/N :	AC7412
APPD BY		SCALE	NONE
		UNIT	MM
		DRAWING NO. :	
		DATE	2021.11.16
		REV. A0	1/2