

KRONE 45°-110 DUAL IDC
SCALE 1/1

Specification:

Material :

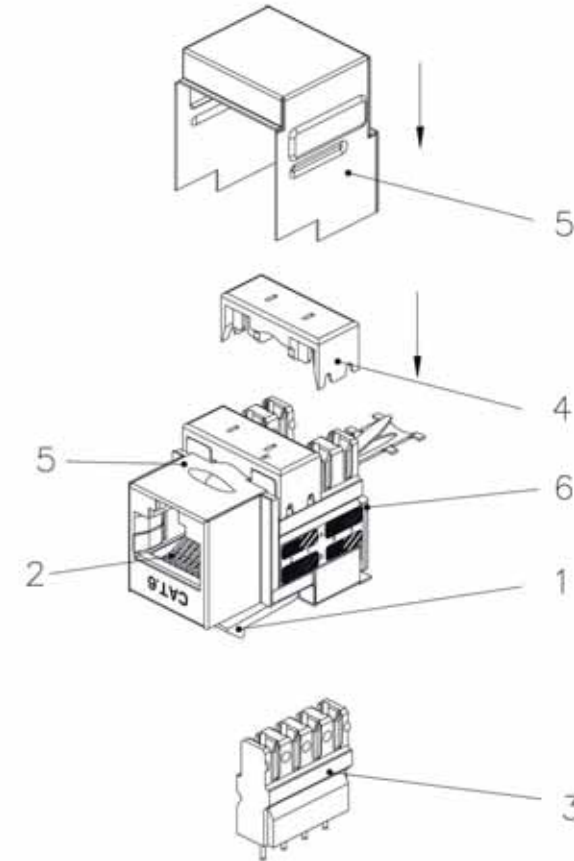
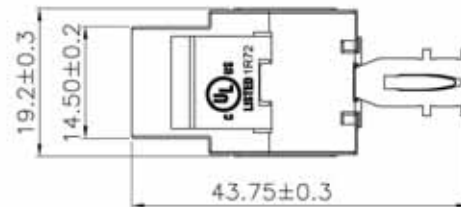
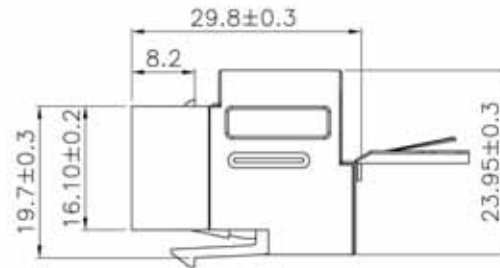
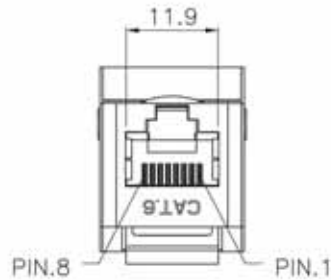
1. RJ45 Jack :
 - 1-1. Housing : ABS+PC, UL 94V-0, with optional color.
 - 1-2. Contact Bracket : PBT+Glass Fiber, UL 94V-0.
2. RJ45 Jack Contact :
 - 2-1. Material : Phosphor Bronze with Nickel plated
 - 2-2. Finish : 50 micro-inch Gold plated on Plug contact area.
3. IDC :
 - 3-1. Housing : PC+Glass Fiber, UL 94V-2.
 - 3-2. Terminal : Phosphor Bronze with Tin plated.
4. IDC CAP : ABS, UL 94-HB.
5. Shield : Bronze with Nickel plated.
6. IDC Bracket : ABS, UL 94V-0.
7. PCB : FR4, UL94V-0.

Performance :

- a. T568A & T568B wiring sticker.
- b. Insertion force : 30N max. (IEC 60603-7-5)
- c. Retention strength : 7.7 kg between Jack and Plug.
- d. Operating temperature : -10°C to 60°C. (ISO/IEC 11801, ANSI/TIA/EIA 568 B.2)
- e. Life(mating cycles) :
 - *Jack : 750 cycles min. (ISO/IEC 11801, IEC 60603-7-5)
 - *IDC : Suitable for 22-26 AWG stranded and solid wire, compatible with both 110 & Krone punch down tools.
- f. The Cat.5e transmission performance is in compliance with the ANSI/TIA/EIA 568 B.2 standard.

GENERAL TOLERANCE OF DIMENSIONS X.XXX ±0.005 X.XX ±0.05 X.X ±0.1	DRAWING	25.DEC.2010	WESLEY	ACE	
	CHECK	25.DEC.2010	JANE		
	APPROVAL	25.DEC.2010	JAIMY		
		DATE	NAME		TD5022
	SCALE	1/1 (A4)	UNIT	mm	DES.: CAT.5E FULL SHIELDED KEYSTONE JACK
			DRAWING NO.		
			DRAWING CLASSIFICATION	S	SHEET 1 OF 1





KRONE 45°-110 DUAL IDC
SCALE 1/1

Specification:

Material :

1. RJ45 Jack :
 - 1-1. Housing : ABS+PC, UL 94V-0, with Black color.
 - 1-2. Contact Bracket : PBT+Glass Fiber, UL 94V-0.
2. RJ45 Contact :
 - 2-1. Material : Phosphor Bronze with Nickel plated
 - 2-2. Finish : 50 micro-inch Gold plated on Plug contact area.
3. IDC :
 - 3-1. Housing : PC+Glass Fiber, UL 94V-2.
 - 3-2. Terminal : Phosphor Bronze with Tin plated.
4. IDC CAP : ABS, UL 94-HB.
5. Shield : Bronze with Nickel plated.
6. IDC Bracket : ABS, UL 94V-0.
7. PCB : FR4, UL94V-0.

Performance :

- a. T568A & T568B wiring Sticker.
- b. Insertion force : 30N max. (IEC 60603-7-5)
- c. Retention strength : 7.7 kg between Jack and Plug.
- d. Operating temperature : -10°C to 60°C. (ISO/IEC 11801, ANSI/TIA/EIA 568 B.2)
- e. Life(mating cycles) :
 - *Jack : 750 cycles min. (ISO/IEC 11801, IEC 60603-7-5)
 - *IDC : Suitable for 22-26 AWG stranded and solid wire, compatible with both 110 & Krone punch down tools.
- f. The Cat.6 transmission performance is in compliance with the ANSI/TIA/EIA 568 B.2-1 standard.

GENERAL TOLERANCE OF DIMENSIONS X.XXX ±0.005 X.XX ±0.05 X.X ±0.1	DRAWING	25.DEC.2010	WESLEY	ACE
	CHECK	25.DEC.2010	JANE	
	APPROVAL	25.DEC.2010	JAIMY	
		DATE	NAME	
SCALE	1/1 (A4)	UNIT	mm	DES.: CAT.6 FULL SHIELEDE KEYSTONE JACK
DRAWING NO.				
DRAWING CLASSIFICATION		S	SHEET	1 OF 1
				A5