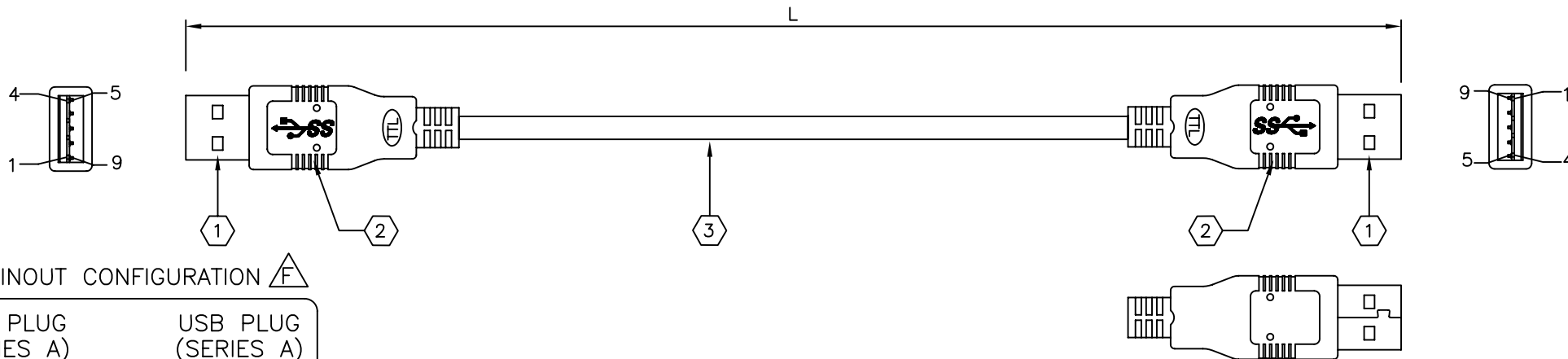


ALL MATERIAL ARE RoHS AND CALIFORNIA PROP.65 COMPLIANT

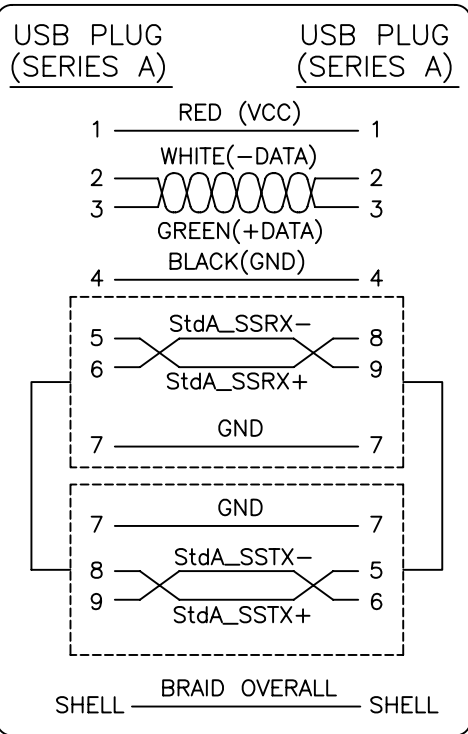


CUSTOMER'S APPROVAL: _____ DATA: _____

FIRST ARTICLE SAMPLE REQUIRED: YES, NO.



PINOUT CONFIGURATION \triangle



P/N	L(mm)
SB3002	2000±50
SB3003	3000±100

ITEM	DESCRIPTION	QTY.	UNIT
1	USB 3.0 PLUG SERIES	2	PCS.
2	USB TYPE A MOLDED BLACK PVC HOOD	2	PCS.
3	UL20276(28AWG*1P+AL-MYLAR+DRAIN)*2C+28AWG*1P+22AWG*2C+AL-MYLAR+BRAID OVERALL;BLACK PVC JACKET	SEE	DWG.

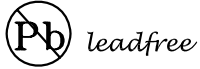
UNIT:m/m

REVISED DETAILS

REV.	DESCRIPTION	DATE	REVISED BY	Part number:	Revision:
B	CHANGE COLOR	09.09.29	Z.Q.KANG	SB300X	F
C	CHANGE TTL LOGO TO ACT LOGO	11.02.21	Z.Q.KANG	RFQ number:	Drawing #: 090420-1
D	CHANGE WIRE SPEC & DELETE SIZE 5M	11.02.22	Z.Q.KANG	Drawn by: Q.ZHOU	Scale: None
E	CHANGE WIRE SPEC	11.02.23	Z.Q.KANG	Checked by:	Date: 04/20/2009
F	CHANGE PINOUT	12.02.13	Z.Q.KANG		

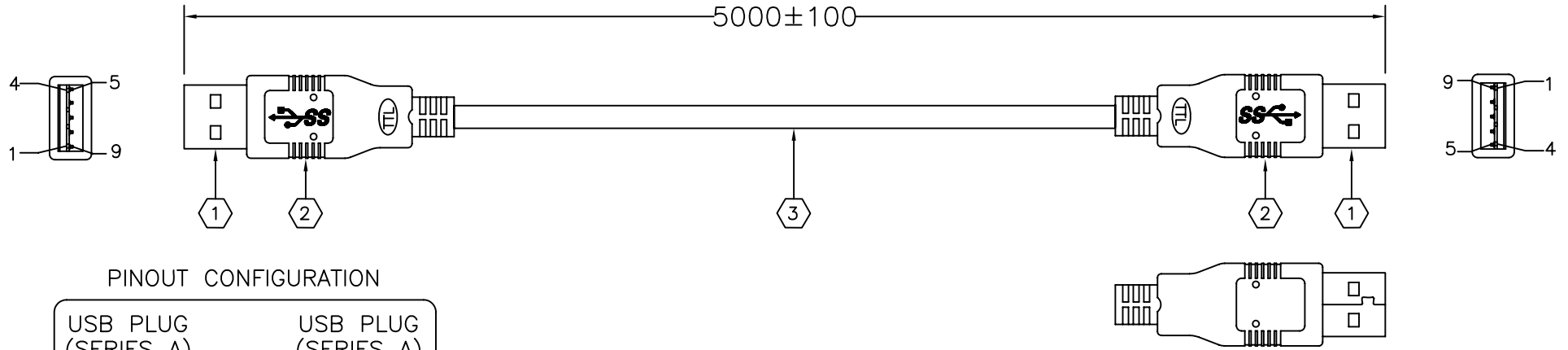


ALL MATERIAL ARE RoHS AND CALIFORNIA PROP.65 COMPLIANT

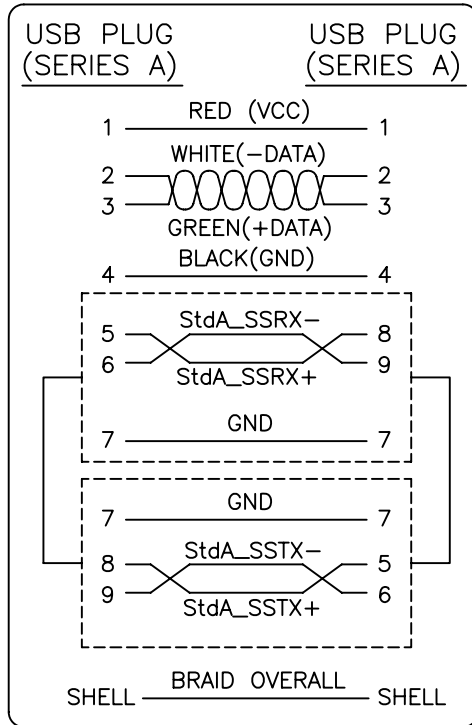


CUSTOMER'S APPROVAL: _____ DATE: _____

FIRST ARTICLE SAMPLE REQUIRED: YES, NO.



PINOUT CONFIGURATION



UNIT: mm

ITEM	DESCRIPTION	QTY.	UNIT
1	USB 3.0 PLUG SERIES	2	PCS.
2	USB TYPE A MOLDED BLACK PVC HOOD	2	PCS.
3	UL20276(28AWG*1P+AL-MYLAR+DRAIN)*2C+28AWG*1P+22AWG*2C+AL-MYLAR+BRAID OVERALL;BLACK PVC JACKET	SEE	DWG.

REVISED DETAILS			REVISED BY
REV.	DESCRIPTION	DATE	
A	CHANGE WIRE SPEC	2011.02.23	Z.Q.KANG
B	CHANGE PINOUT	2012.02.13	Z.Q.KANG
C	CHANGE WIRE SPEC	2013.08.09	Z.Q.KANG

Part number:	SB3005	Revision:	C
RFQ number:		Drawing#:	110222-4
Drawn by:	Z.Q.KANG	Scale:	None
Checked by:		Date:	02/22/2011

