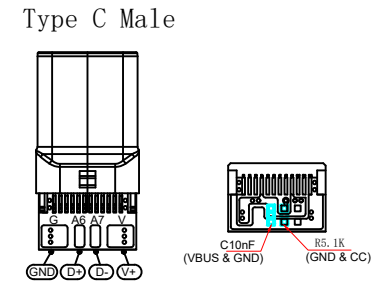
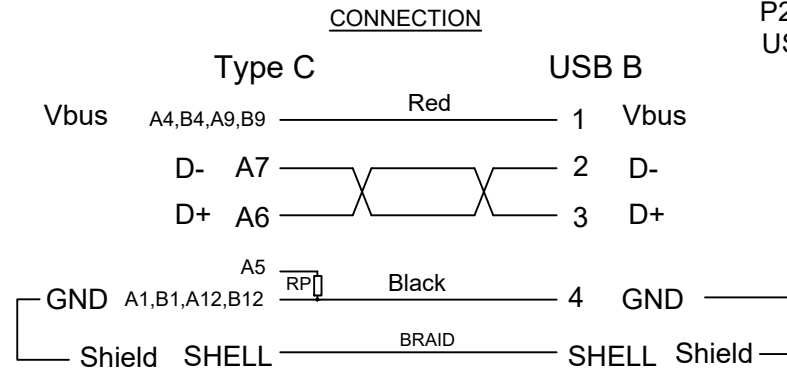
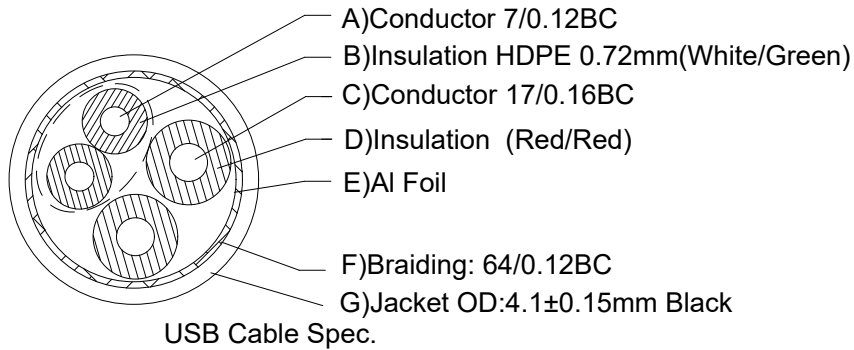
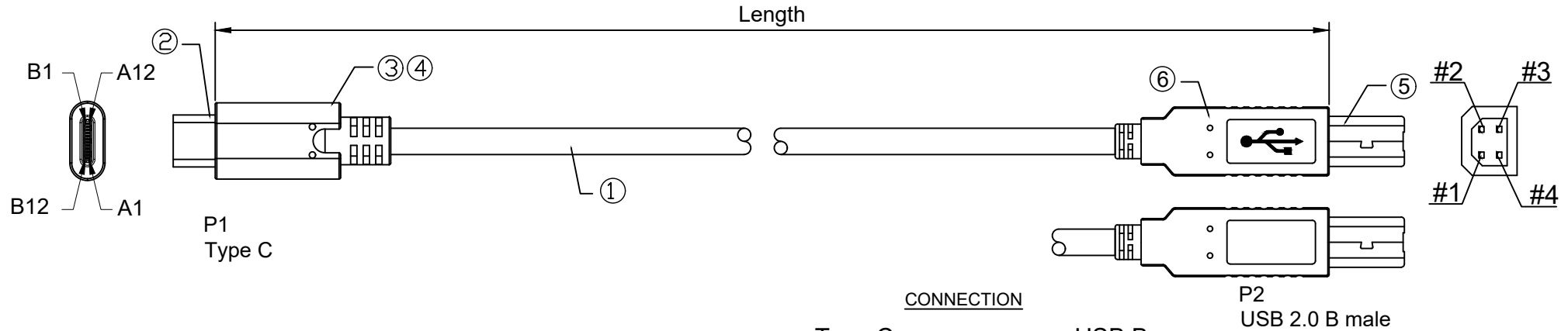
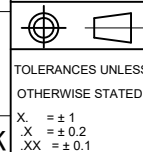


REV.	REVISED DESCRIPTION	DATE	CHECKED
A0	FIRST RELEASE	2023/06/08	



Item NO.	Length(m)
SB0013	1.8m

ITEM	DESCRIPTIONS & SPECIFICATIONS	QTY	REMARK
⑥	External Mold	Outer Mould 35P PVC, Black	*
⑤	Connector	USB2.0 B Male, Nickle-Plated	1PC
④	External Mold	Outer Mould 35P PVC, Black	*
③	Innernal Mold	Inner Mould PE	1PC
②	Connector	Type C Male,R5.1K Nickle-Plated	1PC
①	Cable	USB Cable OD:4.1mm 28+24 (7/.012BC+HDPE)*1P + (7/0.20BC +PVC)*2C+64/0.12BC +OD4.1PVC Black	



ACT			
ERP NO.:		SAMPLE DWG NO.:	
CUSTOMER:		REVISION	A0
CUSTOMER P/N:		UNIT	mm
DESCRIPTION	Type C Male TO USB 2.0 B	SCALE	NO
APPROVAL		PAGE NO	1/1
CHECKED		DATE	2023/06/08
		DRAWN	