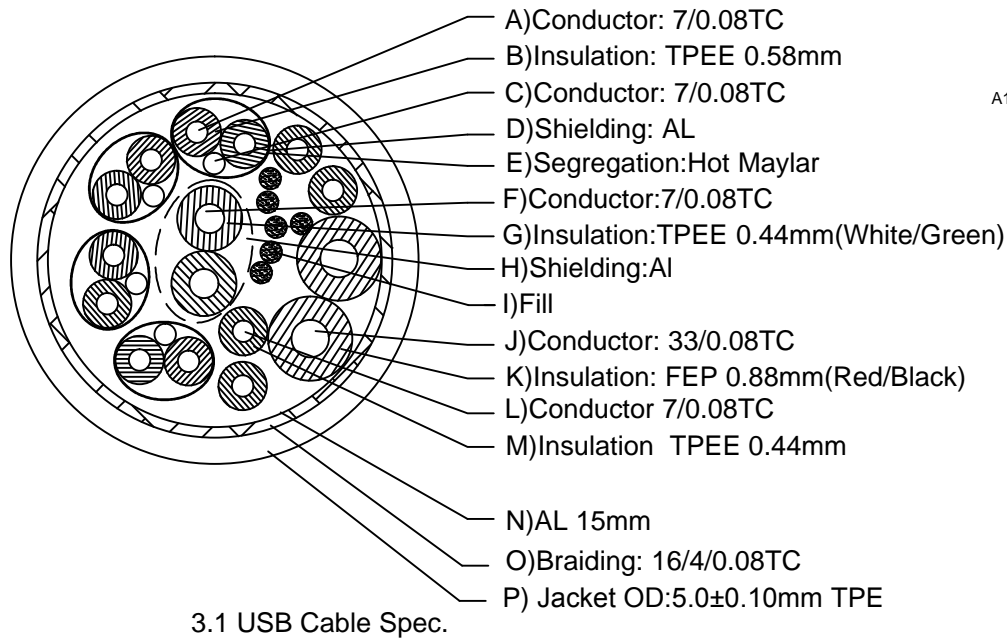
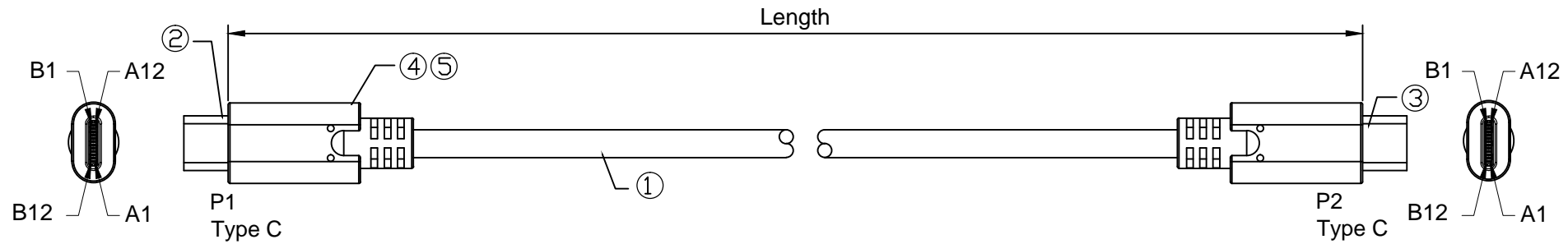
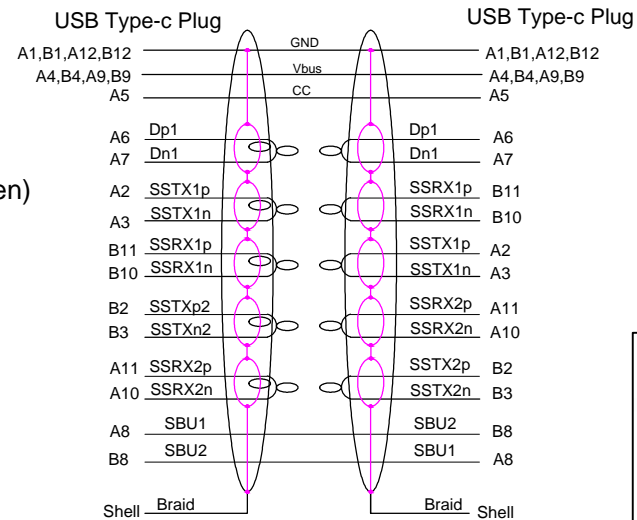


REV.	REVISED DESCRIPTION	DATE	CHECKED
A0	FIRST RELEASE	2019/05/17	



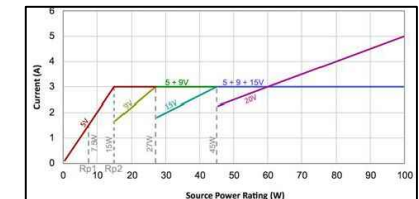
### CONNECTION



### Remark:

- 100% Open/Short Test
- Conductive Resistance: 2ohms MAX
- Insulation Resistance: 5M ohm MIN.
- The product is Reach/RoHS compliant.
- Support 3.1 Gen1 (5V/3A 15W)

Item No.	Length(m)
SB0011	1.0m



ERP NO.:		SAMPLE DWG NO:	
DOC No.:		REVISION	A0
CUSTOMER:		UNIT	mm
CUSTOMER P/N:		SCALE	NO
DESCRIPTION	USB 3.1 Type C male to Type C male	PAGE NO	1/1
		DATE	2019/05/17
APPROVAL	CHECKED	DRAWN	

ITEM	DESCRIPTIONS & SPECIFICATIONS	QTY	REMARK
④	External Mold	Outer Mould 45P PVC, Black	2PCS
③	Inernal Mold	Inner Mould PE	2PCS
②	Connector	USB Type C Male, PCBA, <b>no pull-up resiator</b>	2PCS
①	Cable	[(7/0.08TC+0.58TPEE)*1P+D(7/0.08)+AL+Mylar]*4P+ [7/0.08TC+0.44TPEE(Whiter/Green)]*1P + [33/0.08TC+0.88FEP(Red/Black)]*2C +[(7/0.08TC+0.44TPEE)]*4P+Silk wire+AL +16/4/0.08TC+TPE OD4.8mm	

