

1

2

3

4

5

6

A

A

B

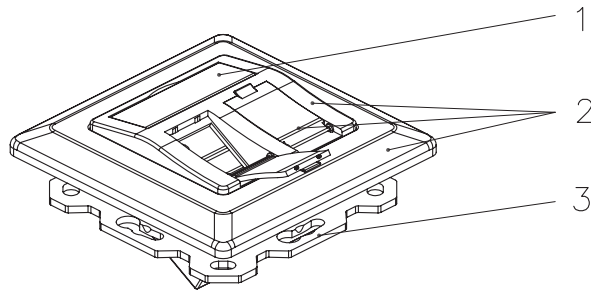
B

C

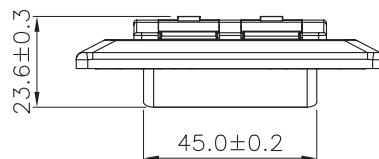
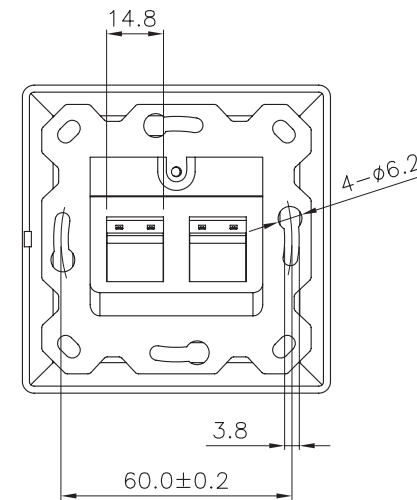
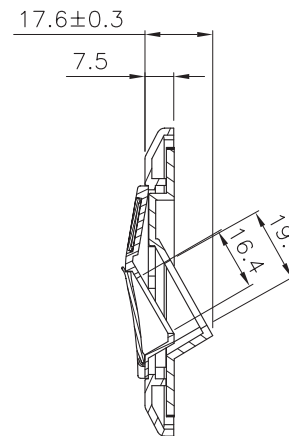
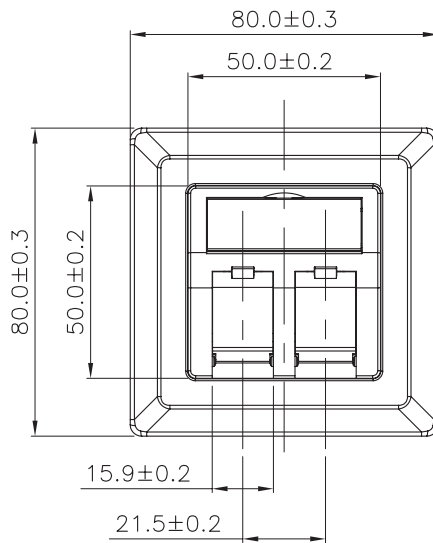
C

D

D



SCALE 1/2



Remark : AAHNA10020003XX

(1) XX : Plastic Color  
05=White(RAL 9010), 13=Ivory(RAL 1013).

Specification :

- Material :
- 1-1. I.D. Plate : PVC, Transparent color.
  - 1-2. Paper.
  - 1-3. Frame : ABS, UL 94V-0.
  2. Flush Plate : ABS, UL 94-HB.
  3. Shield : Zinc Die-casting.

GENERAL TOLERANCE OF DIMENSIONS X.XXX ±0.005 X.XX ±0.05 X.X ±0.1	DRAWING	15.MAR.2010	QIQI		
	CHECK	15.MAR.2010	JANE		
	APPROVAL	15.MAR.2010	JAIMY		
		DATE	NAME	ITEM NO.: FA6010	
	SCALE	1/2 (A4)	UNIT	mm	DES.: 2P FLASH PLATE FITS KEYSTONE JACK
		DRAWING NO.		DRAWING CLASSIFICATION	
		S	SHEET	1 OF 1	

1

2

0

3

4

10cm

5

6