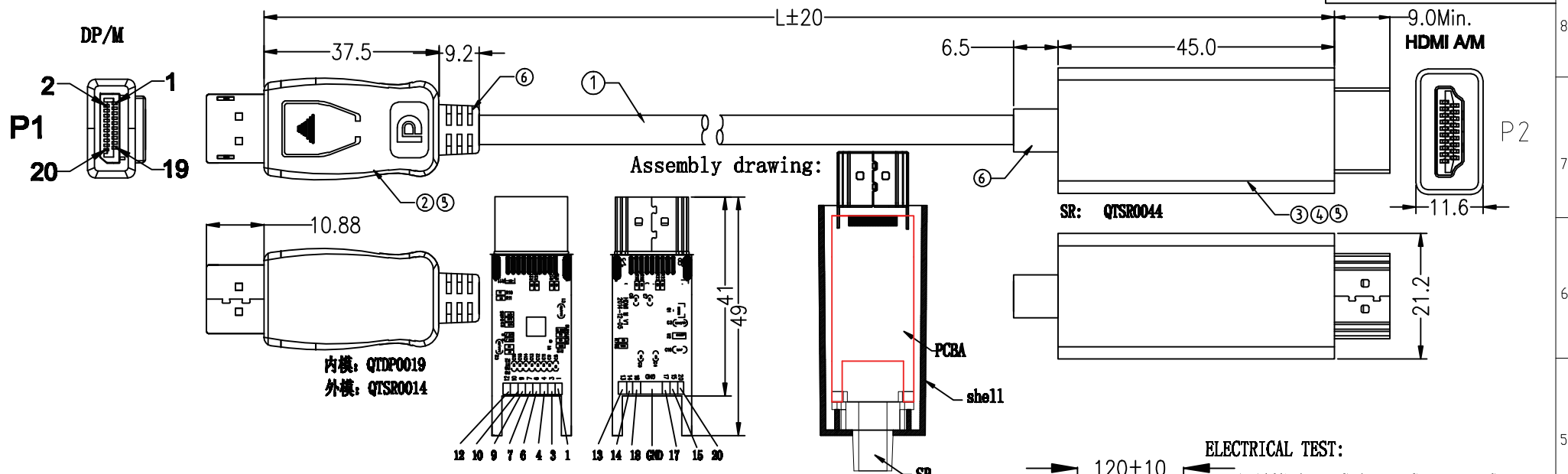


LTR	REV.	DESCRIPTION	DATE	APP'D	RoHS-COMPLIANT					
-----	------	-------------	------	-------	----------------	--	--	--	--	--

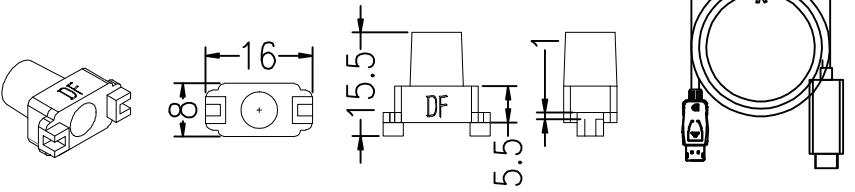
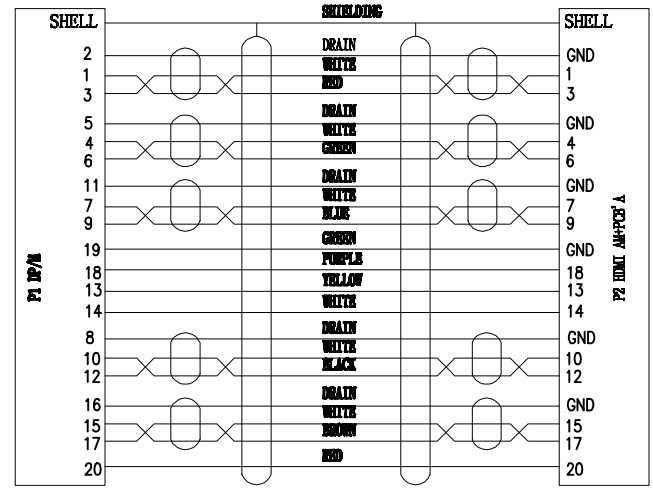


内模: QTP0019
外模: QTSR0014

SR: QTSR0044

ELECTRICAL TEST:

1. 100% OPEN SHORT MIS WIRE TEST
2. CONTACT RESISTANCE: 3 OHM MAX
3. INSULATION RESISTANCE: 10M OHM MIN
4. HI-POT TEST: DC 300V/10ms
5. Displayport version: 1.2v
6. Max Resolution: 3840*2160



NO.	NAME	SPEC	Q'TY	REMARK
6	MOLD	BLACK 45P PVC		
5	MOLD	LDPE, NATURAL COLOR		A/R
4	SHELL	HDMI A/M BLACK PVC SHELL HDMI A/M BLACK PVC FRONT COVER		A/R 1
3	PLUG	HDMI A/M: PIN G/F, BLACK PVC CORE, SHELL G/F+PCB' (PS8402A)		1
2	PLUG	DP 20/M: PIN G/F, BLACK PVC CORE, SHELL G/F, BLACK PVC SHELL, WITH LOCK		1
1	CABLE	UL20276 #32*5P+#32*5C+AEB, BLACK PVC JACKET, OD: 5.0mm L=500/1000/1500/2000mm		1

	Item	L(M)
	AK3987	0.5
	AK3988	1.0
	AK3990	1.8

ITEM:	DP M TO HDMI M BLACK CABLE		Tol.	Inch	mm	UNIT	mm	DRAWING:	HUANG	
	C.T	C.T ITEM	X.	.02	0.5	ANGLE	±'	CHECK 1:		
			X.X	.12	0.3	SCALE	NONE	CHECK 2:		
			X.XX	.008	0.2	FONT	NONE	CHECK 3:		
				X.XXX	.006	0.15	The third perspective	DATE	2015-09-23	
			X.XXX	.006	0.15		VER.	A	PAGE	1/1