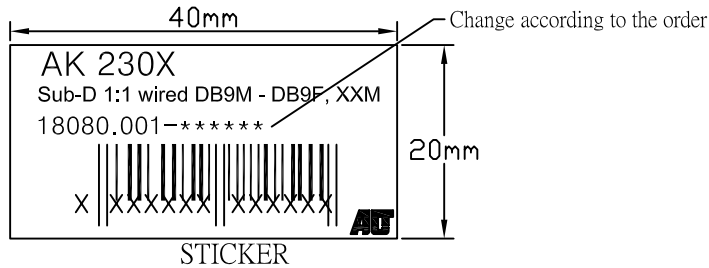
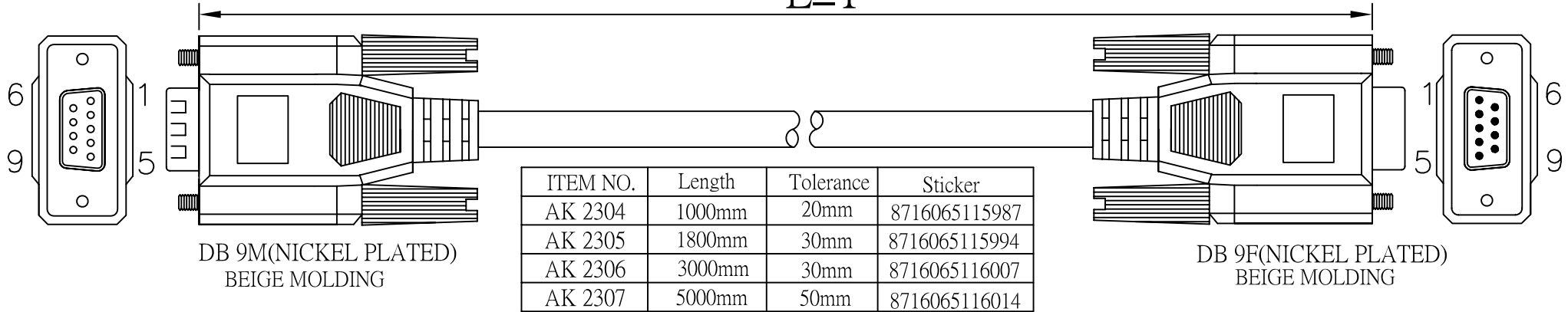


L±T



NOTE:

1. CABLE:NON-UL,28#*9C+1+AL,OD=5.0mm,BEIGE COLOR,PVC JACKET.
2. LENGTH:L
3. CONNECTORS: DB9F * 1PCS,DB9M*1PCS(BLUE INSULATOR,NICKEL PLATED)
4. MOLD:BEIGE MOLDING.
5. SCREW: #4*40 INCH SCREW *4PCS

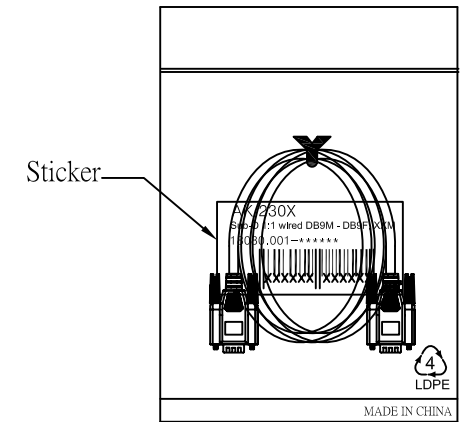
6. CONTACTS:

DB9M	1	2	3	4	5	6	7	8	9	64	
DB9F	1	2	3	4	5	6	7	8	9	64	

7. OPEN/SHORT TEXT 100% TEXT.

INSULATION: MIN.5M.

RoHS COMPLIANT.

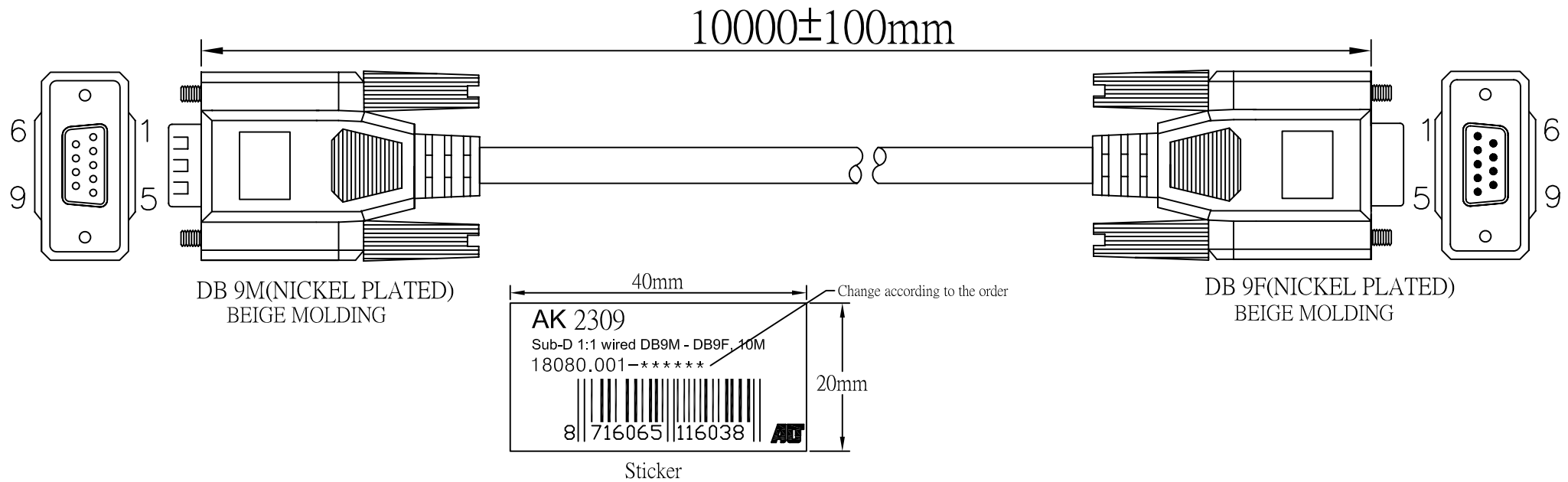


1PCS/PE BAG(0.06*190*300mm)+Sticker

Company	I.B.V	Goods Code		Draw	FC001 WJF	Date	2009.10.14
ITEM NO.	AK 230X	Drawing Evidence :		Check		Date	
Goods NO.				Approval		Date	
Original NO.	S-*****	Unit(mm)					

ACT

D		
C	Revised spell CONTACTS of NOTE 6.	2011.03.30
B	Changed 30# to 28# / Adding packaging info	10.03.16WJF
VER. A	REVISE	Date



NOTE:

1. CABLE:NON-UL,26#*9C+1+AL,OD=5.0mm,BEIGE COLOR,PVC JACKET.
2. LENGTH:10000mm
3. CONNECTORS: DB9F * 1PCS,DB9M*1PCS(BLUE INSULATOR,NICKEL PLATED)
4. MOLD:BEIGE MOLDING.
5. SCREW: #4*40 INCH SCREW *4PCS

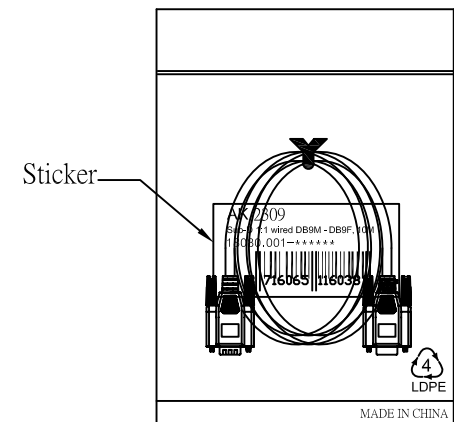
6. CONTACTS:

DB9M	1	2	3	4	5	6	7	8	9	64	
DB9F	1	2	3	4	5	6	7	8	9	64	

7. OPEN/SHORT TEXT 100% TEXT.

INSULATION: MIN.5M.

RoHS COMPLIANT.



1PCS/PE BAG(0.06*190*300mm)+Sticker

Company	I.B.V	Goods Code		Draw	FC001 WJF	Date	2009.10.14
ITEM NO.	AK 2309	Drawing Evidence :		Check		Date	
Goods NO.				Approval		Date	
Original NO.	S-*****	Unit(mm)					

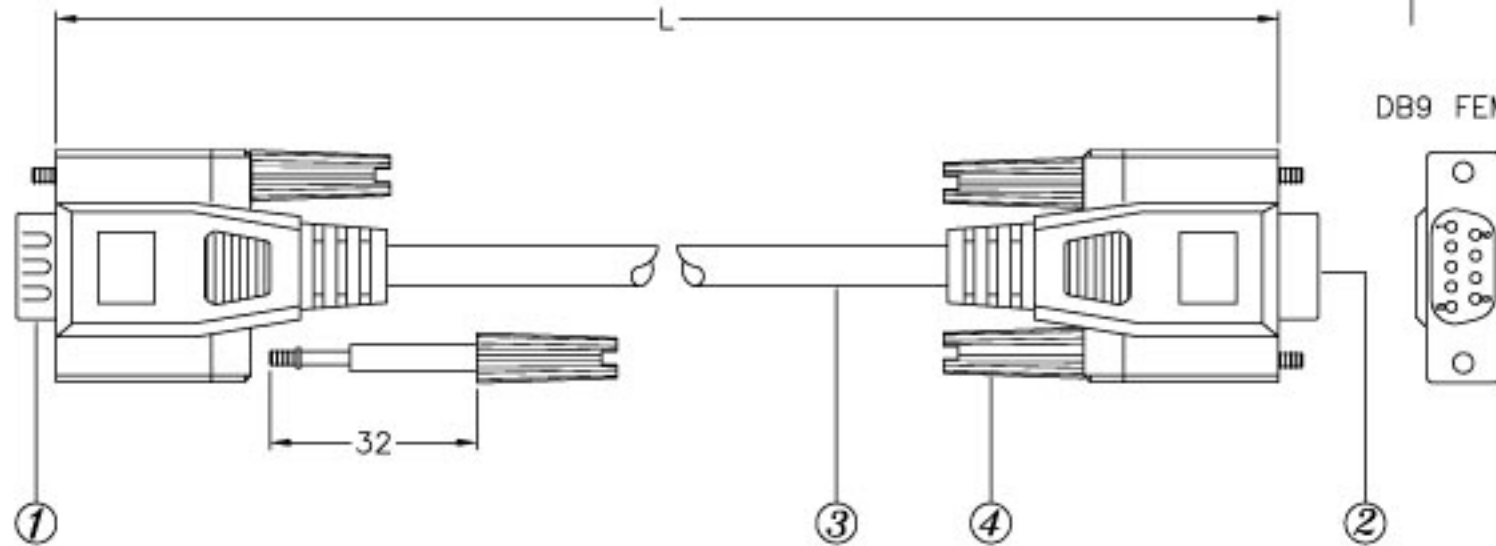


D		
C	Revised spell CONTACTS of NOTE 6.	2011.03.30
B	Changed 30# to 26# / Adding packaging info	10.03.16WJF
VER. A	REVISE	Date

DATE BY	REVISION

DB9 MALE

DB9 FEMALE



NOTE:

1. CABLE: #26,9C+1+AL/MY,O.D:6.0
2. CONNECTOR: DB9M,BLUE
DB9F,BLUE
3. THUMBSCREW: #4-40UNC,E32

NOTE:

1. TOTAL LENGTH: L
2. COLOR: BEIGE
3. MOLDED TYPE

ITEM NO.	L
AK2308	7000±100mm
AK2309	10000±100mm
AK2321	15000±100mm
AK2322	20000±100mm
AK2323	25000±100mm
AK2324	30000±100mm

CONFIGURATION:

DB9M	DB9F
1	1
2	2
3	3
4	4
5	5
6	6
7	7
8	8
9	9
SHIELD	SHIELD

ACT

①	THUMBSCREW: #4-40UNC,E32	4
③	#26,9C+1+AL/MY,O.D:6.0,BEIGE	L
②	DB9F,BLUE	1
④	DB9M,BLUE	1
NO.	DESCRIPTION	QTY

DATE		PARTS NO	
UNIT	MM	DRAWN NO	AK2308
SCALE		BUYER NO	002

TITLE:

DB9 MALE-DB9 FEMALE
(MOLDED TYPE)

DRAWN	Y.C.C 1/8	CHECK		APPRO	
-------	--------------	-------	--	-------	--