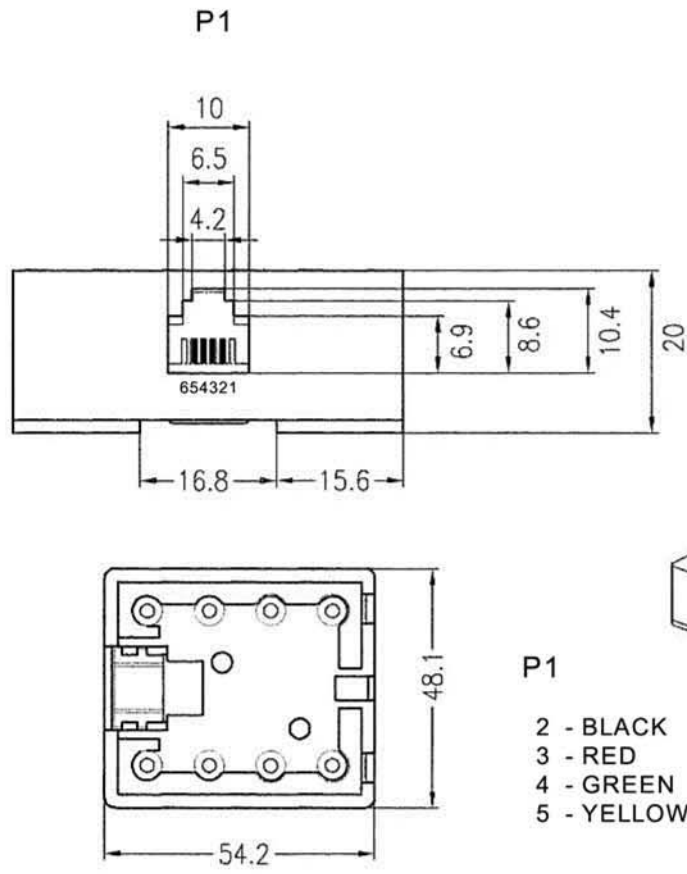
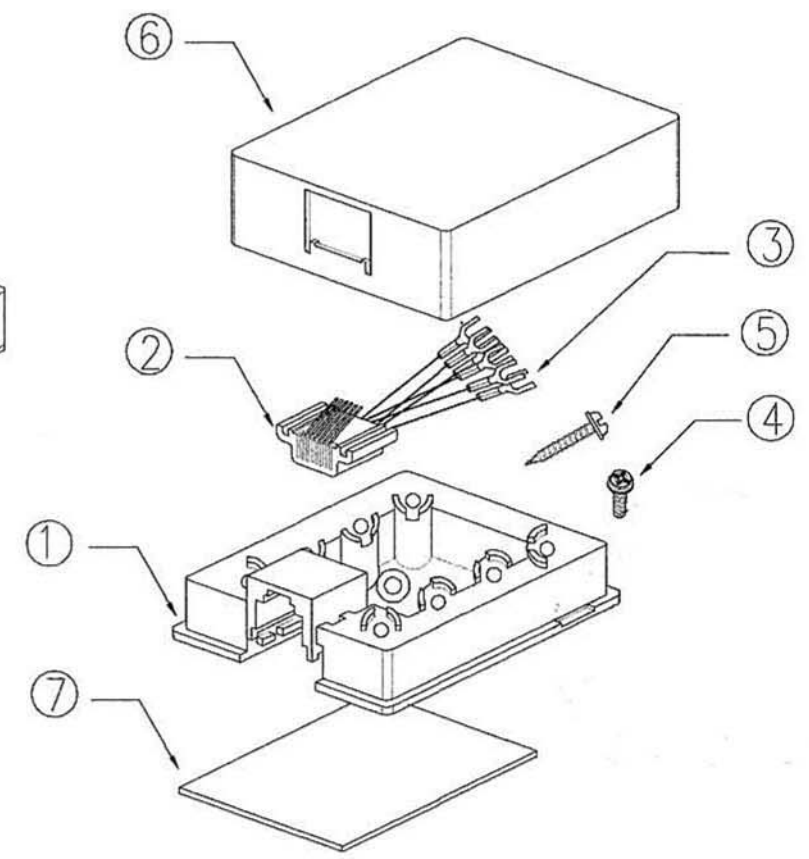


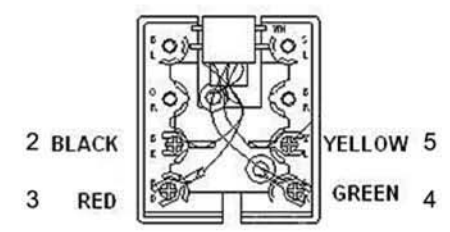
A B C D E F G H



- P1
- 2 - BLACK
 - 3 - RED
 - 4 - GREEN
 - 5 - YELLOW



Wiring diagram:

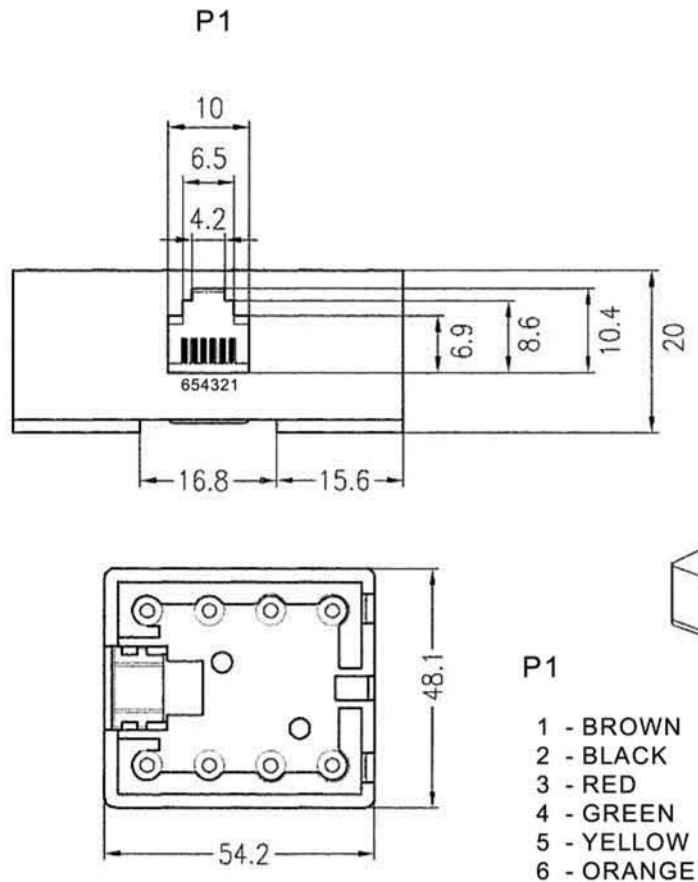


Item TD1704

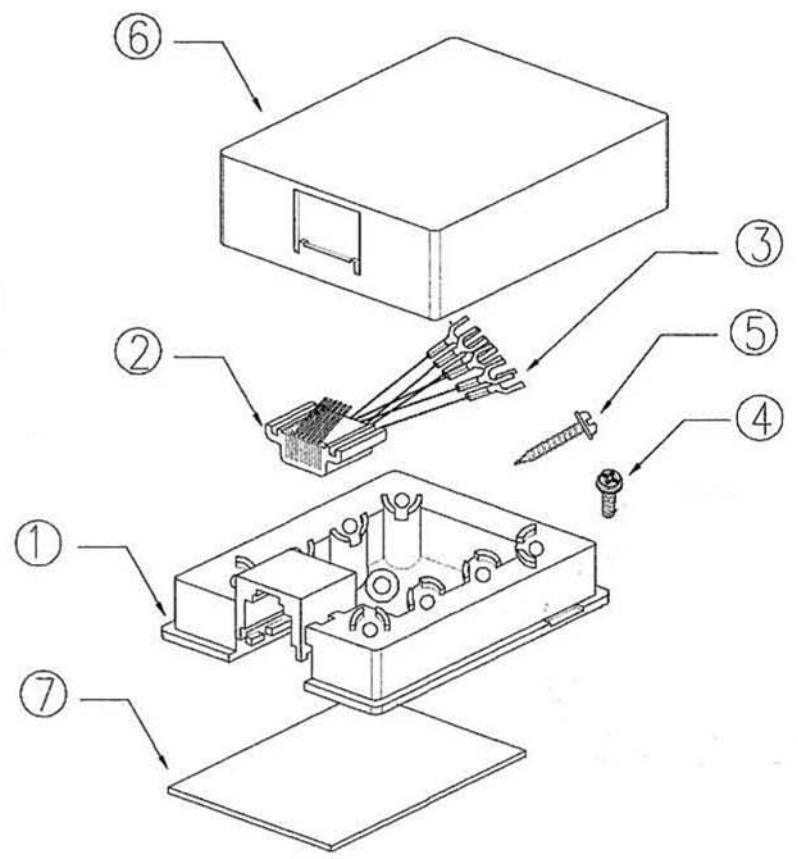
1xRJ-11 6P4C MODULAR SURFACE

7	PCS	1	Double-side tape	L x W x H 50 x 40 x 1.2mm
6	PCS	1	Top housing	Material : ABS beige
5	PCS	2	Screw	Material : 3.5 x 20mm Nickel-plated steel
4	PCS	6	Screw	Material : 3.5 x 5.5mm Nickel-plated steel
3	PCS	6		3U"gold-plated connector 26 Awg stranded cable UL 1061
2	PCS	1		Material : ABS
1	PCS	1	Bottom housing	Material : ABS beige

A B C D E F G H



- P1
- 1 - BROWN
 - 2 - BLACK
 - 3 - RED
 - 4 - GREEN
 - 5 - YELLOW
 - 6 - ORANGE

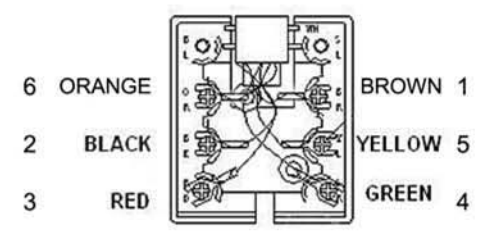


AC Item TD1706

1xRJ-12 6P6C MODULAR SURFACE

7	PCS	1	Double-side tape	L x W x H 50 x 40 x 1.2mm
6	PCS	1	Top housing	Material : ABS beige
5	PCS	2	Screw	Material : 3.5 x 20mm Nickel-plated steel
4	PCS	6	Screw	Material : 3.5 x 5.5mm Nickel-plated steel
3	PCS	6		3U"gold-plated connector 26 Awg stranded cable UL 1061
2	PCS	1		Material : ABS
1	PCS	1	Bottom housing	Material : ABS beige

Wiring diagram:



A B C D E F G H

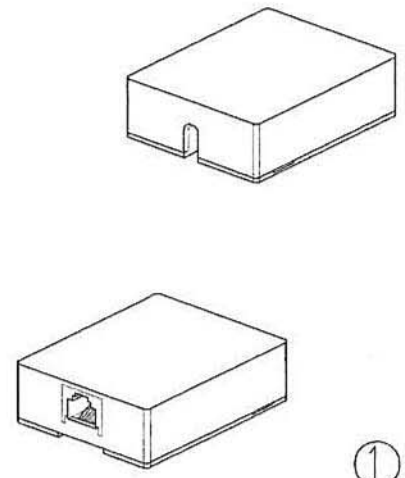
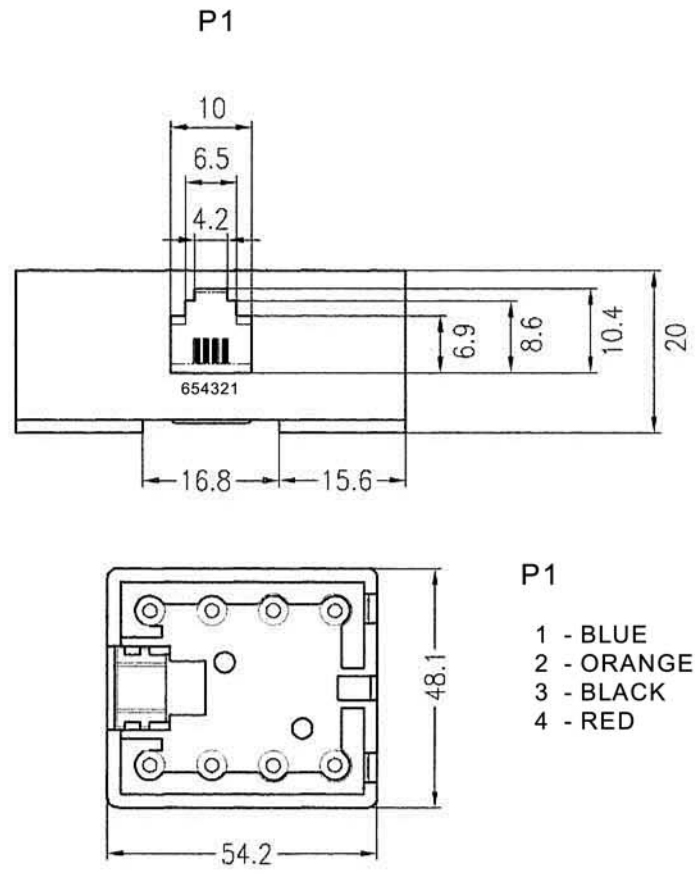
1

2

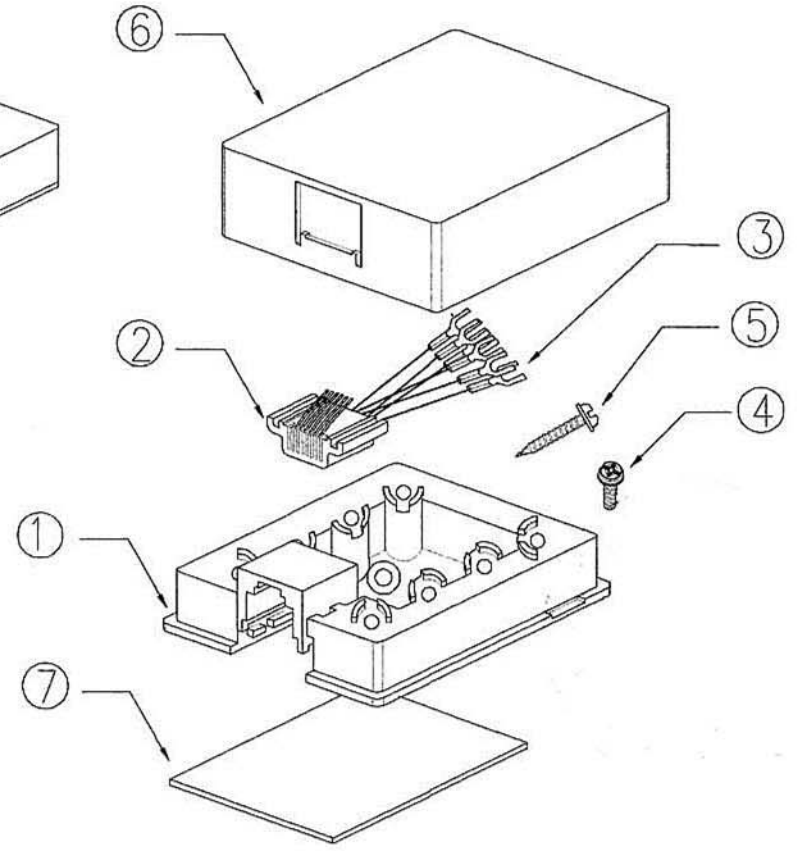
3

4

5



- P1
- 1 - BLUE
 - 2 - ORANGE
 - 3 - BLACK
 - 4 - RED
 - 5 - GREEN
 - 6 - YELLOW
 - 7 - BROWN
 - 8 - WHITE



Item TD1708			1xRJ-45 8P8C MODULAR SURFACE
7	PCS	1	Double-side tape L x W x H 50 x 40 x 1.2mm
6	PCS	1	Top housing Material : ABS beige
5	PCS	2	Screw Material : 3.5 x 20mm Nickel-plated steel
4	PCS	6	Screw Material : 3.5 x 5.5mm Nickel-plated steel
3	PCS	6	3U" gold-plated connector 26 Awg stranded cable UL 1061
2	PCS	1	Material : ABS
1	PCS	1	Bottom housing Material : ABS beige

Wiring diagram:

