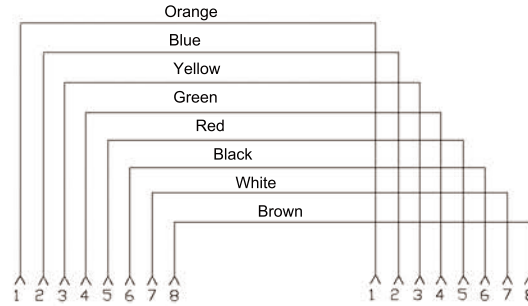
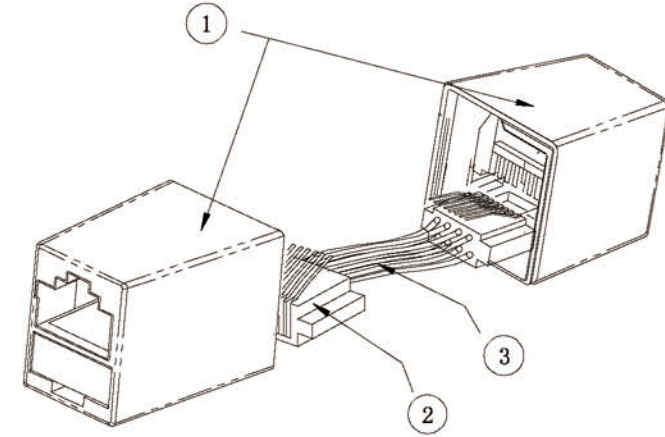
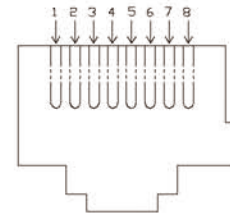


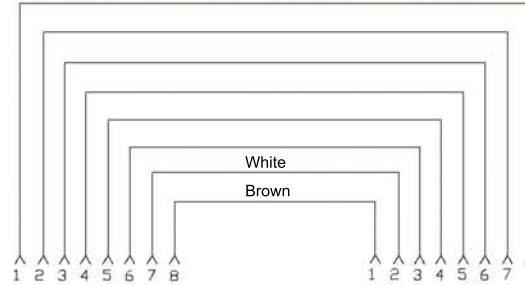
**Connection (1)**



Port 1

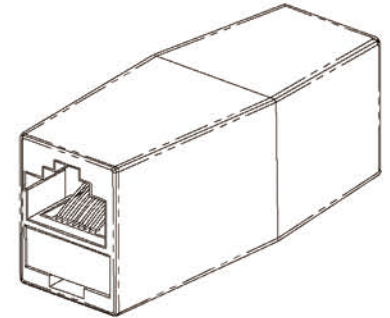


**Connection (2)**



Port 1

Port 2



3	8	PCS	Pin & Wire	Fit to 8P8C connector. Pin wire: 0.46mm Phosphor copper with gold plate. Plate thickness: 3U'. Core wire: 7*0.1mm copper.
2	2	PCS	Pin holder	Fit to 8P8C connector. Material: ABS. Colour: White.
1	2	PCS	Housing	Fit to 8P8C connector, Smooth surface. Material: ABS. Colour: White. RAL9003
Item	QTY.	Unit	Parts Name	Specification

THIRD ANGLE PROJECTION



Remark:

1). Dimension Unit: mm

2). Tolerance limits: x.xx±0.05