

Specification:

1. LC Connector : LC/UPC Singlemode

Mode	Ferrule	Housing	Clip	Boot	Cap
SM Low Loss	Zirconia(∅1.25mm)	Blue(PC)	Blue(PP)	White/Blue(TPE)	White(PE)

2. LC Connector : LC/APC Singlemode

Mode	Ferrule	Housing	Clip	Boot	Cap
SM APC	Zirconia(∅1.25mm)	Green(PC)	Green(PP)	White/Green(TPE)	White(PE)

3. 3-1.Cable Type : Zipcord

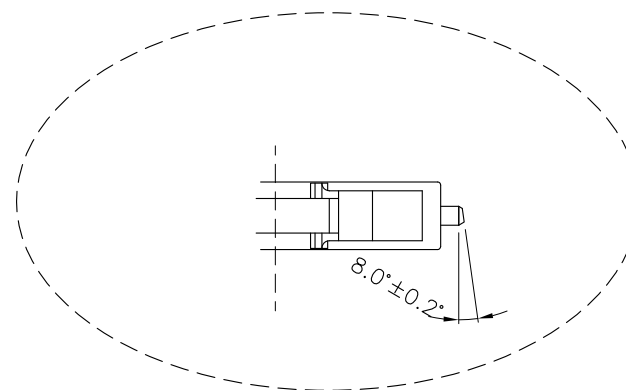
Category	Jacket O.D.	Jacket Material	Color
G.657A2(9/125um)	∅2.0mm	LSZH	Yellow

3-2.Cable Text Printing : ACT Premium Singlemode Fiber Optic Patch Cable  
9/125um OS2 LSZH MM/YY xxxxM

4. Length : xM

Performance:

- a. Insertion Loss : Singlemode Average<0.10 dB, Max.<0.2 dB.
- b. Return Loss : UPC>55 dB, APC>60 dB
- c. Insertion Loss will be Increased after 500 mating : 0.2 dB Max
- d. Operating Temperature : -20°C to +70°C
- f. Storage Temperature : -40°C to +80°C



LC/APC Angles(SCALE 2/1)

"#": Matching DIM. "*": Important DIM. Others General DIM.	DRAWING	20.JUL.2019	YMN		
	CHECK	20.JUL.2019	DAY		
	APPROVAL	20.JUL.2019	FRANK		
GENERAL TOLERANCE OF DIMENSIONS	DATE	NAME		ITEM NO.: RL28XX	
X.XXX ±0.005 X.XX ±0.05 X.X ±0.1	SCALE	1/1 (A4)	UNIT	mm	DES.: LC-LC/APC 9/125 Duplex OS2 2.0mm LSZH
	DRAWING NO.		LC-LC/APC 9/125 Duplex OS2 2.0mm LSZH(S05)		
	DRAWING CLASSIFICATION		S	SHEET 1 OF 2	

1

2

3

4

5

6

A

A

B

B

C

C

D

D

Description 1


Description 2

**ACT** Fiber Optical Patch Cord

LC/UPC to LC/APC Duplex Singlemode 9/125, OS2

**Model: xxxx-xxxxxx**

**IIC-code: xxxxx**

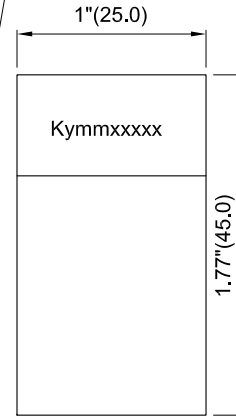
PO/NO.  X XXX XXX X XXX XXX X

Performance: (@23°C)  $\lambda=1310/1550 \pm 20\text{nm}$

Serial No.	Insertion Loss		Return Loss	
	1310nm	1550nm	1310nm	1550nm
Kymmxxxx	A			
	B			
	C			
	D			

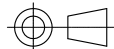

-ACT advices to clean connector ferrule before usage to get optimal performance  
-Always leave the dust caps on if the cable isn't installed

Prepared By :     QC     Date :           



DETAIL B  
y: Year; mm: Month  
xxxx: Serial Number

RL2810	10	10	32.8'(10000)	LC/UPC-LC/APC 9/125 OS2 10.00M
RL2805	05	5	16.4'(5000)	LC/UPC-LC/APC 9/125 OS2 5.00M
RL2803	03	3	9.84'(3000)	LC/UPC-LC/APC 9/125 OS2 3.00M
RL2802	02	2	6.56'(2000)	LC/UPC-LC/APC 9/125 OS2 2.00M
RL2801	01	1	3.28'(1000)	LC/UPC-LC/APC 9/125 OS2 1.00M
Part NO.	**	XX	L	Description

"#": Matching DIM. "*": Important DIM. Others General DIM.  GENERAL TOLERANCE OF DIMENSIONS X.XXX ±0.005 X.XX ±0.05 X.X ±0.1	DRAWING	20.JUL.2019	YMN	<b>ACT</b>	
	CHECK	20.JUL.2019	DAY		
	APPROVAL	20.JUL.2019	FRANK		
	DATE	NAME	ITEM NO.: RL28XX		
	SCALE	1/1 (A4)	UNIT	mm	DES.: LC-LC/APC 9/125 Duplex OS2 2.0mm LSZH
		DRAWING NO.	LC-LC/APC 9/125 Duplex OS2 2.0mm LSZH(S05)		
	DRAWING CLASSIFICATION		S	SHEET 2 OF 2	

1

2

0

3

4

10cm

5

6