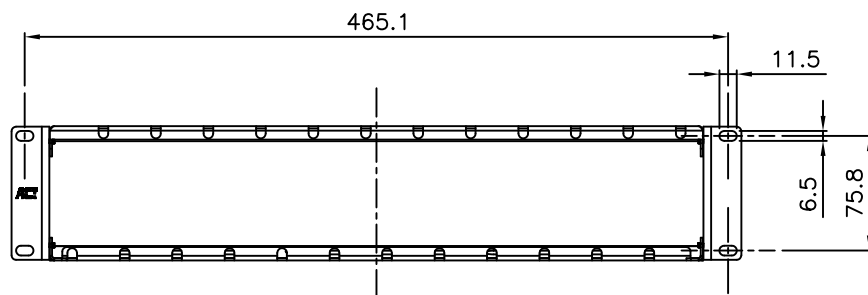
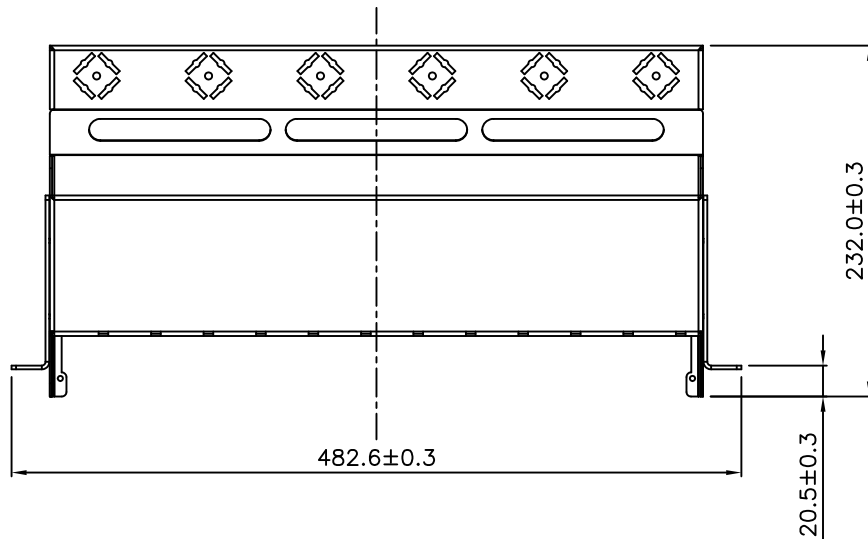


SCALE 1/10



Specification :

Material :

1. Panel Bottom : SPCC, 1.5mm Thickness, Black(RAL 9005) color Painted.
2. Screw : 8PCS, M3\*6/5.8mm Zinc Plated, Wafer Head.
3. ledger plate : SPCC, 2.5mm Thickness, Black(RAL 9005) color Painted.
4. Cover : SPCC, 1.5mm Thickness, Black(RAL 9005) color Painted.

Performance :

- a. Dimension : 19" x 9.13" x 3.5"  
(482.6 x 232.0 x 88.8mm)
- b. Weight : 2.0kg.

<b>GENERAL TOLERANCE OF DIMENSIONS</b> X.XXX ±0.005 X.XX ±0.05 X.X ±0.1	DRAWING	27.SEP.2021	DANIEL	<b>ACT</b>
	CHECK	27.SEP.2021	DAY	
	APPROVAL	27.SEP.2021	FRANK	
	DATE		NAME	ITEM NO.: FA2056
	SCALE	1/5 (A4)	UNIT	mm
		DRAWING NO. Patch panel HD 12gats-2U(S01)		
		DRAWING CLASSIFICATION		