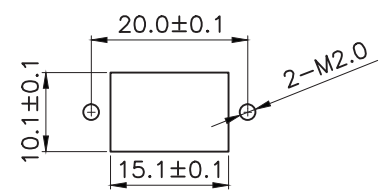
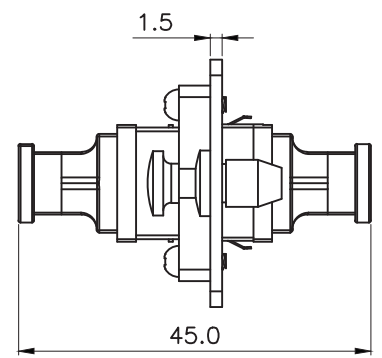
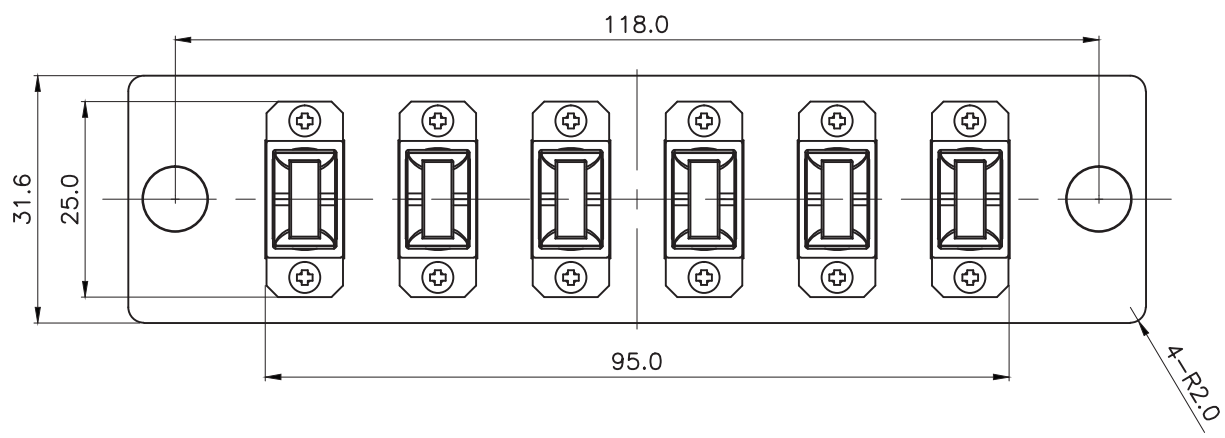
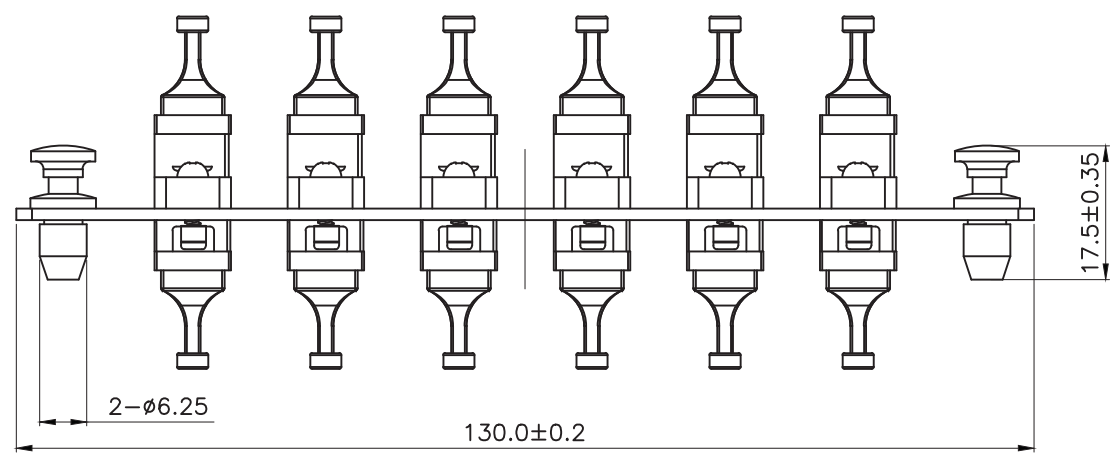


SCALE 1/2



SUGGESTED PANEL CUTOUT



Specification :

Material :

1. Accessory : 2 pcs, Snap Rivet, Male Nylon/Female PC material, Black color.
2. Dust Grommet : 12 pcs, PC, Gary color.
3. Screw : 12 pcs, M2*6/3.3mm, Nickel Plated, Black color.
4. MTP Adaptor : 6 pcs, PEI, UL 94V-0, Black Color.
5. Panel material : SPCC, 1.5mm thickness, Black Color.

Performance :

- a. Dimension: 1.77" x 1.24" x 5.12"
(45.0 x 31.6 x 130.0mm)
- b. Weight: 0.06kg.
- c. Finished: Painted, BK(RAL9005).



GENERAL TOLERANCE OF DIMENSIONS X.XXX ±0.005 X.XX ±0.05 X.X ±0.1	DRAWING	18.DEC.2013	DANIEL	AC
	CHECK	18.DEC.2013	DAY	
	APPROVAL	18.DEC.2013	JAIMY	
	DATE	NAME	ITEM NO.: FA2046	
SCALE	1/1 (A4)	UNIT	mm	DES.: MTP-6-PANEL+MTP Adaptor
	DRAWING NO.	AJRCA0165220001(SA2)		
	DRAWING CLASSIFICATION	S	SHEET 1 OF 1	