

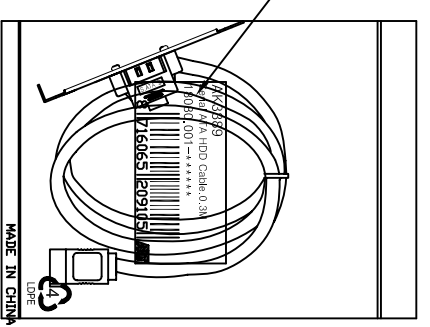
- NOTE:
1. CABLE:UL 2725,(26#*2+AL+MY+D*2)*2F,OD=2.4*8.0mm,RED COLOR,PVC JACKET.
 2. LENGTH:300mm.
 3. CONNECTOR:ESATA 7P FEMALE+BRACKET*1PCS,SATA 7P*1PCS(BLACK COLOR)
 4. MOLD:BLACK MOLDING.
 5. CONTACTS:

SATA 7M	1+4+7	2	3	5	6
ESATA 7F	1+4+7	2	3	5	6

6. TESTING:100% TEST.
INSULATION:5M.

ROHS Compliant

1PCS/PE BAG(0.06*100*200mm)+STICKER



Company	I.B.V	Goods Code	Draw	FC001 WJF	Date	2009.10.13	D
ITEM NO.	AK 3389	Drawing Evidence	Check		Date		C
Goods NO.			Approval		Date		B
Original NO.	S-*****	Unit(mm)			Date		VER. A
							REVISE
							Date

