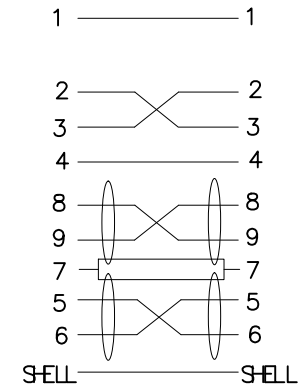
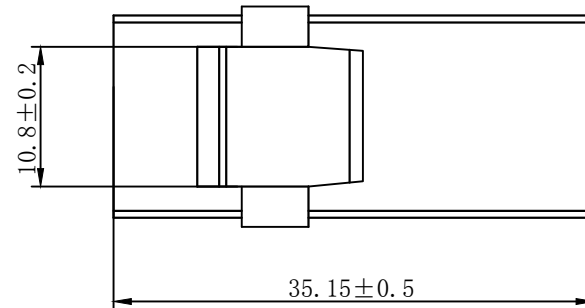
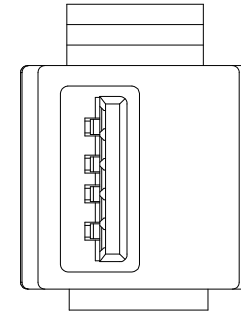
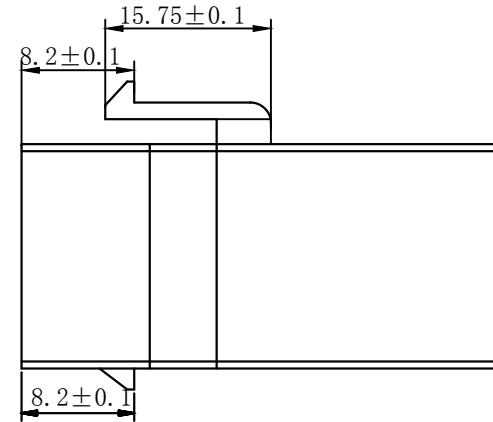
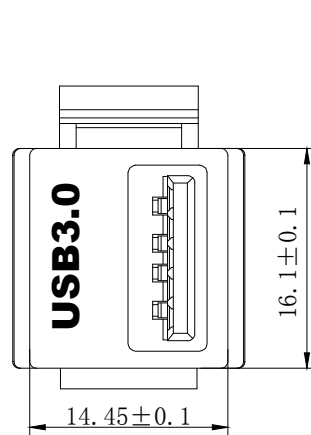
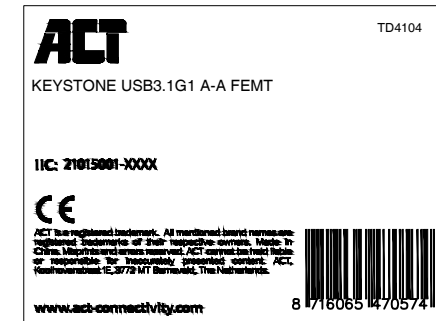


PIN OUT

USB A female USB A female



ACT Label Polybag 80x80mm



NOTES:

1. Electrical test:

- (1). 100% open short & miss wire test;
- (2). Insulation resistance: DC 300V 10MΩ Min;
- (3). Contactor resistance: 3Ω Max;

Data Transfer: 5Gbps Voltages: 5V Current: 900mA

RoHS 3.0 and REACH Compliant

Packing: 1PCS/PE Bag+Label

MATERIAL LIST:

②	SHELL	ABS/BLACK	1	
①	Connector	USB 3.0 A Female, Blue insulation The Pin Gold Plating, the Shell For Nickel plating	2	
NO.	PARTS NAME	SPECIFICATION STANDARD	QT' Y	REMARK
		NEW	21. May. 2021	A
BY	CHK	REVISION RECORD MODIFICATIONS	DATE	REV.

"#": Matching DIM. "*": Important DIM. Others General DIM. GENERAL TOLERANCE OF DIMENSIONS X:XXX ±0.005 X:XX ±0.05 X:X ±0.1	DRAWING	21. May. 2021	Alvan	ACT
	CHECK	21. May. 2021	Alvan	
	APPROVAL			
	SCALE	1/1 (A4)	UNIT	mm
	DRAWING NO.	USB 3.1 GEN 1 A Female to A Female Keystone Type Adapter		DES. : 255312S
	DRAWING CLASSIFICATION			SHEET 1 OF 1

