

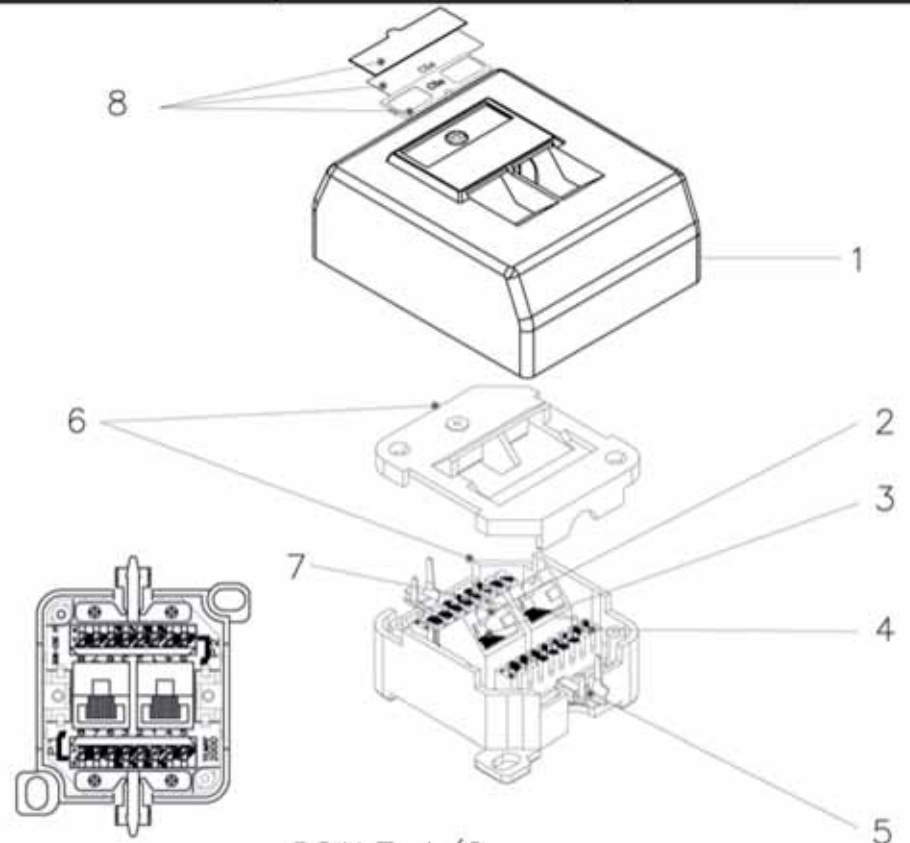
Specification :

Material :

1. Box Housing : ABS, UL 94-HB, with optional color.
2. RJ45 Jack :
 - 2-1. Housing : PBT+Glass Fiber, UL 94V-0.
 - 2-1. Contact Bracket : PBT+Glass Fiber, UL 94V-0.
3. RJ45 Jack Contact :
 - 3-1. Material : Phosphor Bronze with Nickel plated.
 - 3-2. Terminal : 50 micro-inch Gold plated over Nickel plated.
4. IDC :
 - 4-1. Housing : PC+Glass Fiber, UL 94V-2.
 - 4-2. Terminal : Phosphor Bronze with min Tin plated.
5. Cable Clamp : Bronze with Nickel plated.
6. Case : ABS, UL 94-HB.
7. PCB Bracket Set : ABS, UL 94-HB.
8. Identification :
 - 8-1. I.D. Plate : PVC, Transparent color.
 - 8-2. Paper.
 - 8-3. Frame : ABS, UL 94V-0.
9. PCB : FR4, UL 94V-0.

Performance :

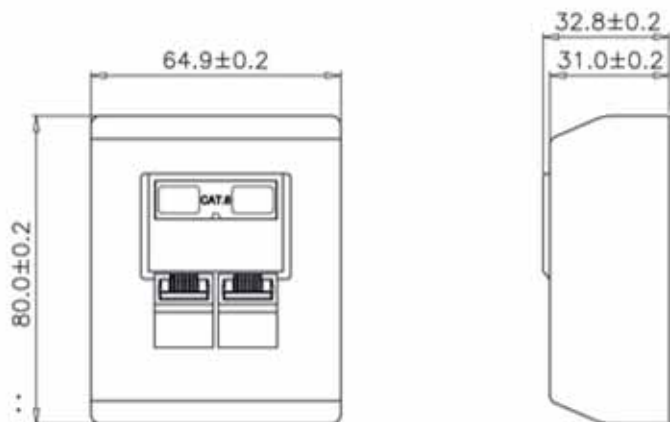
- a. T568A & T568B wiring Printing on IDC.
- b. Insertion force : 20N max. (IEC 60603-7-4)
- c. Retention strength : 7.7 kg between Jack and Plug.
- d. Operating temperature : -10°C to 60°C. (ISO/IEC 11801, ANSI/TIA/EIA 568 B.2)
- e. Durability :
 - *Jack : 750 cycles min. (ISO/IEC 11801, IEC 60603-7-4)
 - *IDC : Suitable for 22-26 AWG stranded and solid wire, compatible with Krone punch down tool.
- f. The Cat.5e transmission performance is in compliance with the ANSI/TIA/EIA 568 B.2 standard.



SCALE 1/2

GENERAL TOLERANCE OF DIMENSIONS X.XXX ±0.005 X.XX ±0.05 X.X ±0.1	DRAWING	01.JUL.2010	QIQI	AC	
	CHECK	01.JUL.2010	JANE		
	APPROVAL	01.JUL.2010	JAIMY		
		DATE	NAME	FA5006	
	SCALE	1/2 (A4)	UNIT	mm	DES.: CAT.5E UNSHIELDED BOX
	DRAWING NO.				
	DRAWING CLASSIFICATION		S	SHEET	1 OF 1





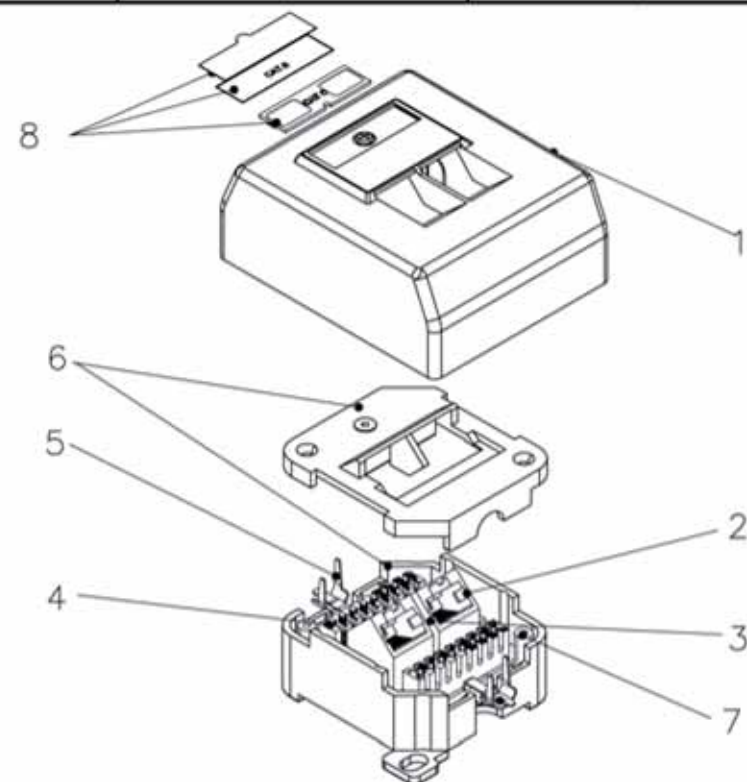
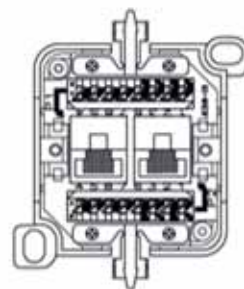
Specification :

Material :

1. Box Housing : ABS, UL 94-HB, with optional color.
2. RJ45 Jack :
 - 2-1. Housing : PBT+Glass Fiber, UL 94V-0.
 - 2-2. Contact Bracket : PBT+Glass Fiber, UL 94V-0.
3. RJ45 Jack Contact :
 - 3-1. Material : Phosphor Bronze with Nickel plated.
 - 3-2. Terminal : 50 micro-inch Gold plated over Nickel plated.
4. IDC :
 - 4-1. Housing : PC+Glass Fiber, UL 94V-2.
 - 4-2. Terminal : Phosphor Bronze with Tin plated.
5. Cable Clamp : Bronze with Nickel plated.
6. Case : ABS, UL 94-HB.
7. PCB Bracket Set : ABS, UL 94-HB.
8. Identification :
 - 8-1. I.D. Plate : PVC, Transparent color.
 - 8-2. Paper.
 - 8-3. Frame : ABS, UL 94V-0.
9. PCB : FR4, UL 94V-0.

Performance :

- a. T568A & T568B wiring.
- b. Insertion force : 20N max. (IEC 60603-7-4)
- c. Retention strength : 7.7 kg between Jack and Plug.
- d. Operating temperature : -10°C to 60°C. (ISO/IEC 11801, ANSI/TIA/EIA 568 B.2)
- e. Life(mating cycles) :
 - * Jack : 750 cycles min. (ISO/IEC 11801, IEC 60603-7-4)
 - * IDC : Suitable for 22-26 AWG stranded and solid wire, compatible with Krone punch down tool.
- f. The Cat.6 transmission performance is in compliance with the ANSI/TIA/EIA 568 B.2-1 standard.



SCALE 1/2

GENERAL TOLERANCE OF DIMENSIONS X.XXX ±0.005 X.XX ±0.05 X.X ±0.1	DRAWING	16.SEP.2010	QIQI	ACE
	CHECK	16.SEP.2010	JANE	
	APPROVAL	16.SEP.2010	JAIMY	
		DATE	NAME	FA6006
	SCALE 1/2 (A4)	UNIT mm	DES.: CAT.6 UNSHIELDED BOX	
	DRAWING NO.			
	DRAWING CLASSIFICATION	S	SHEET	1 OF 1

