

1

2

3

4

5

6

A

A

B

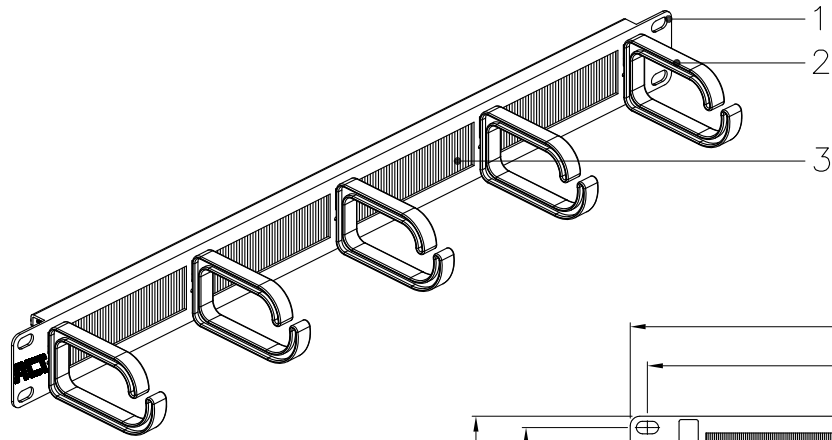
B

C

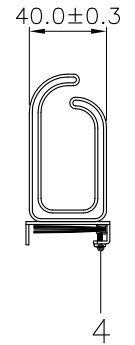
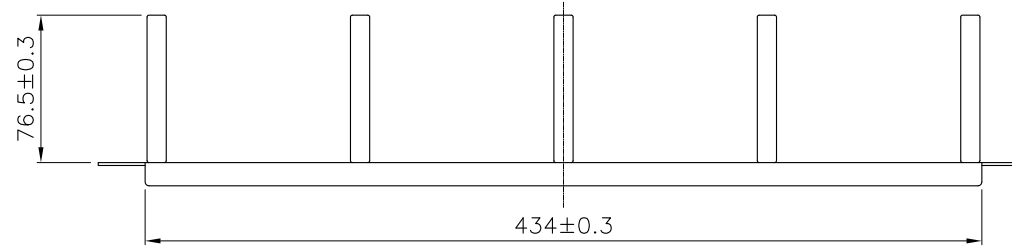
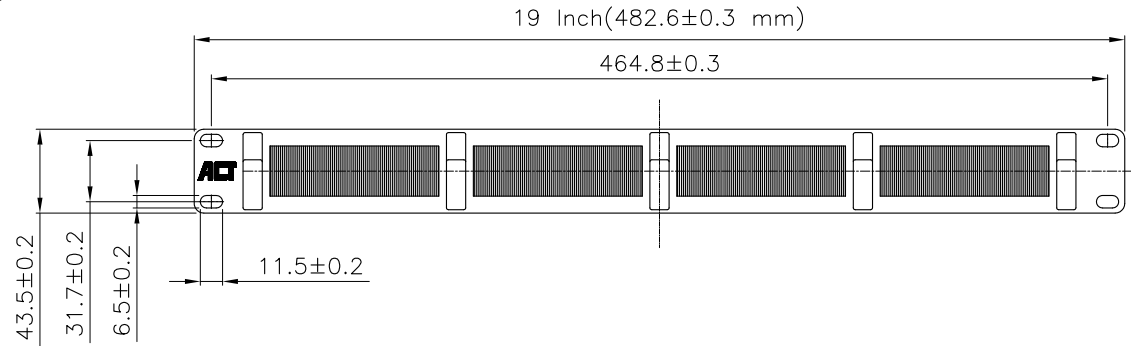
C

D

D



SCALE 1/4



### Specification :

#### Material :

1. Panel : SPCC, 1.5 mm thickness with Black color painted.
2. Cable Holder : ABS, UL 94-HB, Black color.
3. Brush : Hairy got-up mane Brush.
4. Screw : M2.7\*8.0\*6.0mm.

"#": Matching DIM. "*": Important DIM. Others General DIM.  GENERAL TOLERANCE OF DIMENSIONS X.XXX ±0.005 X.XX ±0.05 X.X ±0.1	DRAWING	16.JUN.2021	WESLEY	<b>ACT</b>
	CHECK	16.JUN.2021	DAY	
	APPROVAL	16.JUN.2021	FRANK	
	DATE	NAME		ITEM NO.: FA2077
SCALE	1/1 (A4)	UNIT	mm	DES.: 1U Cable Management with Brush
		DRAWING NO. FA2077(S01)		
		DRAWING CLASSIFICATION	S SHEET	

1

2

0

3

4

10cm

5

6