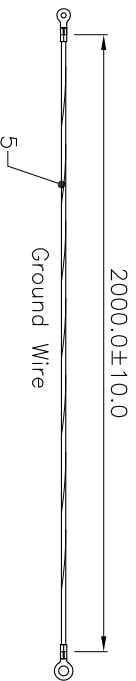
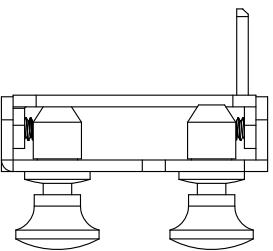
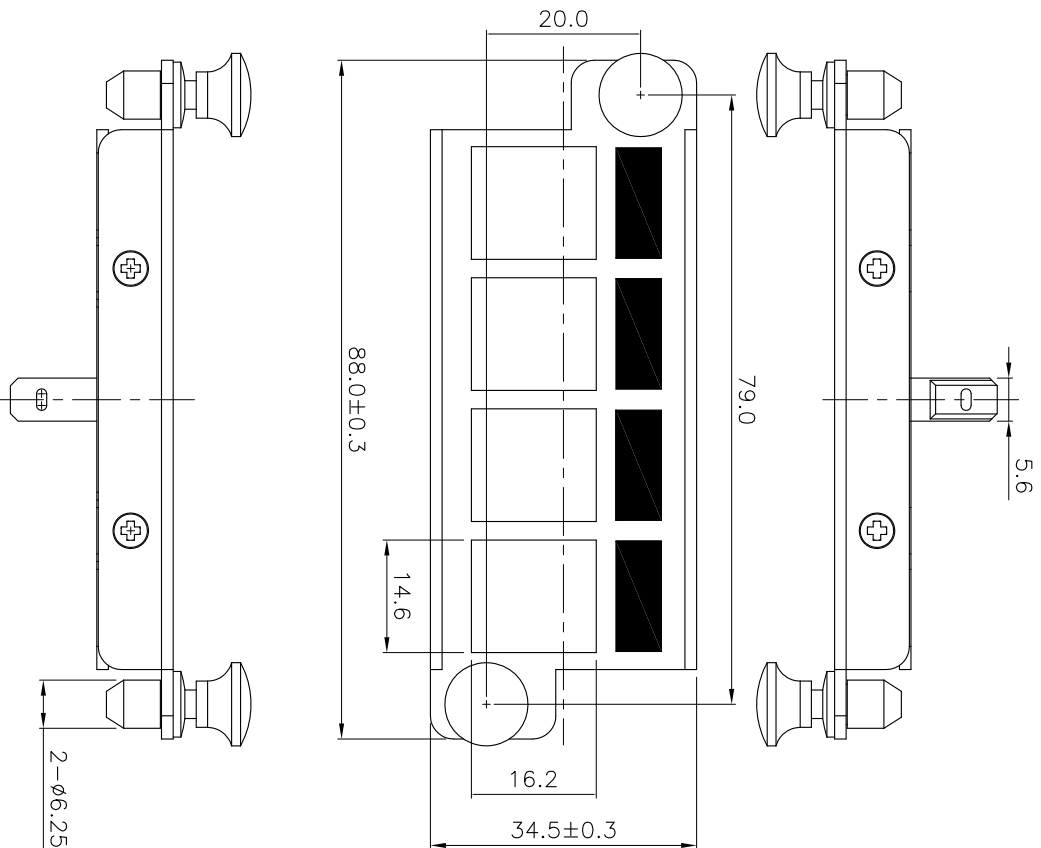


SCALE 1/2



SCALE 1/25



- Specification :
1. Screw : 4 pcs, M3*4/4.5mm.
 2. Back Panel : SPCC, 1.5mm thickness.
 3. Accessory : 2 pcs, nylon snap rivet.
 4. Front Panel : SPCC, 1.5mm thickness.
 5. Ground Wire : 16 AWG wire, with green/yellow striped color, length 200 cm.

Remarks :

a. Dimension : W=3.5"(88.0mm) x D=1.4"(34.5mm) x H=0.8"(19.8mm)

b. Net weight : 0.05kg.

GENERAL TOLERANCE OF DIMENSIONS		DRAWING		DATE		ITEM NO.:	
Xxxx	±0.1	28.NOV.2023	DANIEL	28.NOV.2023	FRANK	FA2058	
Xxxx	±0.2	28.NOV.2023	DAY				
Xxx	±0.3						
Xxx							
HSF Spec.		SCALE	1/1 (A4)	UNIT	mm	DES.:HD Plate 4X KEYSTONE FTP	
RoHS				DRAWING NO.	HD Plate 4X KEYSTONE FTP(SA1)		
				DRAWING CLASSIFICATION	S SHEET	1 OF 1	

ACT

