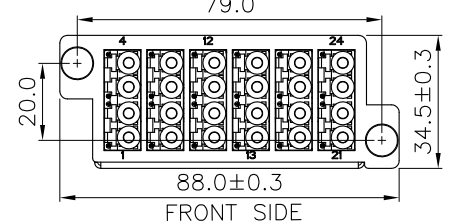


SCALE 1/1

LC	Straight Version	MTP	LC	Straight Version	MTP
1	←→	1	13	←→	13
2	←→	2	14	←→	14
3	←→	3	15	←→	15
4	←→	4	16	←→	16
5	←→	5	17	←→	17
6	←→	6	18	←→	18
7	←→	7	19	←→	19
8	←→	8	20	←→	20
9	←→	9	21	←→	21
10	←→	10	22	←→	22
11	←→	11	23	←→	23
12	←→	12	24	←→	24



LC Fiber Number	Jacket Color	Fiber Position	MTP Fiber Number	LC Fiber Number	Jacket Color	Fiber Position	MTP Fiber Number
Fiber 1	Blue	B	Fiber 1	Fiber 13	Blue	B	Fiber 13
Fiber 2	Orange	A	Fiber 2	Fiber 14	Orange	A	Fiber 14
Fiber 3	Green	B	Fiber 3	Fiber 15	Green	B	Fiber 15
Fiber 4	Brown	A	Fiber 4	Fiber 16	Brown	A	Fiber 16
Fiber 5	Gray	B	Fiber 5	Fiber 17	Gray	B	Fiber 17
Fiber 6	White	A	Fiber 6	Fiber 18	White	A	Fiber 18
Fiber 7	Red	B	Fiber 7	Fiber 19	Red	B	Fiber 19
Fiber 8	Black	A	Fiber 8	Fiber 20	Black	A	Fiber 20
Fiber 9	Yellow	B	Fiber 9	Fiber 21	Yellow	B	Fiber 21
Fiber 10	Purple	A	Fiber 10	Fiber 22	Purple	A	Fiber 22
Fiber 11	Pink	B	Fiber 11	Fiber 23	Pink	B	Fiber 23
Fiber 12	Aqua	A	Fiber 12	Fiber 24	Aqua	A	Fiber 24

Specification :

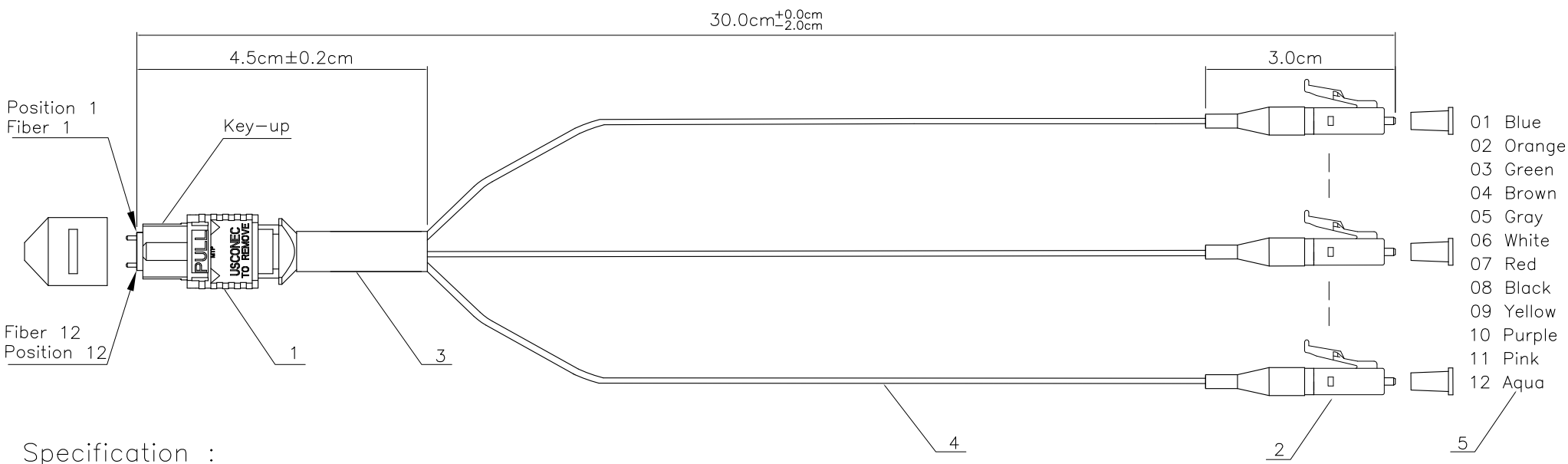
Adaptor	Type	Color
MTP	SC Footprint A Type(Up to Down)	Black
LC	Zirconia	Blue

	Type
Direct Harness (12C)	G657A2, 0.9mm Jacket, PVC, 12F MTP+Guide Pin, LC(SM UPC), Low Loss

- a. Dimension: 1.36" x 3.46" x 4.33" (34.5 x 88.0 x 110.0mm)
- b. Weight: 0.25kg.
- c. Surface Finished: Painted, BK(RAL9005)

GENERAL TOLERANCE OF DIMENSIONS X.XXX ±0.1 X.XX ±0.2 X.X ±0.3	DRAWING	28.NOV.2023	DANIEL	ACT
	CHECK	28.NOV.2023	DAY	
	APPROVAL	28.NOV.2023	FRANK	
	DATE	NAME	ITEM NO.: FA2053	
	SCALE	1/2(A4)	UNIT	mm
	DES.: HD Cassette Method A&C 2x12F MTP to 24xLC OS2			
HSF Spec.	DRAWING NO.	HD Cassette Method A&C 2x12F MTP to 24xLC OS2(SA1)		A1
RoHS	DRAWING CLASSIFICATION	S	SHEET 1 OF 2	

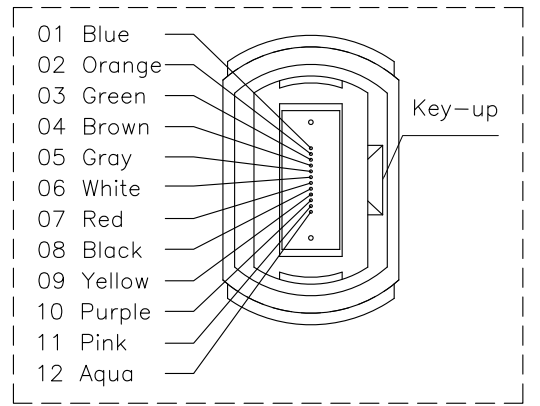
1 2 3 4 5 6



Specification :

Material :

1. Connector Type : MTP Male(With Pin) Connector, Singlemode Low Loss.
 - 1-1. Protective Cap : TPR, Black color.
 - 1-2. MT Ferrule : 12 Fibers, PPS, Black color, Singlemode Low Loss.
 - 1-3. MTP Housing : PBT, Yellow color.
2. Connector Type : LC Singlemode, Blue Color.
 - 2-1. Protective Cap : PE, White color.
 - 2-2. Ferrule : $\phi 1.25\text{mm}$, Zirconia, Singlemode.
 - 2-3. LC Housing : PC, Blue color.
 - 2-4. Strain Relief Boot : PVC, White color.
3. Shrink Tube : 1.5cm. Use Black Heat Shrink Tube.
4. Tubing Type:
 - 4-1. Fiber : OS2 G657A2 9/125um Singlemode.
 - 4-2. 12 tubes Hytel material, 0.9mm tube of 12 Colors.
5. Fanout MTP(Male) to LC OS2 12C Patch cord 30cm.
 - 1(Blue)/2(Orange)/3(Green)/4(Brown)/5(Gray)/6(White)/7(Red)/8(Black)/9(Yellow)/10(Purple)/11(Pink)/12(Aqua).



Performance :

- a. Insertion Loss :
 - LC SM UPC : < 0.30 dB
 - MTP APC Low Loss : < 0.35 dB
- b. Return Loss :
 - LC SM UPC : > 55 dB
 - MTP APC Low Loss : > 60 dB
- c. Fiber Extention(LC) : $-0.05\mu\text{m} < H < +0.05\mu\text{m}$
- d. Fiber overcut(MTP) : 1~3um
- e. Apex Offset : < 50um
- f. Operating Temperature : -20°C to $+70^{\circ}\text{C}$
- g. Storage Temperature : -40°C to $+80^{\circ}\text{C}$

GENERAL TOLERANCE OF DIMENSIONS X.xxx ±0.1 X.xx ±0.2 X.X ±0.3	DRAWING	28.NOV.2023	YMN	ACT
	CHECK	28.NOV.2023	DAY	
	APPROVAL	28.NOV.2023	FRANK	
	DATE		NAME	
SCALE	1/5(A4)	UNIT	mm	DES.: HD Cassette Method A&C 2x12F MTP to 24xLC OS2
HSF Spec.		DRAWING NO.	HD Cassette Method A&C 2x12F MTP to 24xLC OS2(SA1)	
RoHS		DRAWING CLASSIFICATION	S	SHEET 2 OF 2

D

A

B

C

1 2 3 4 5 6