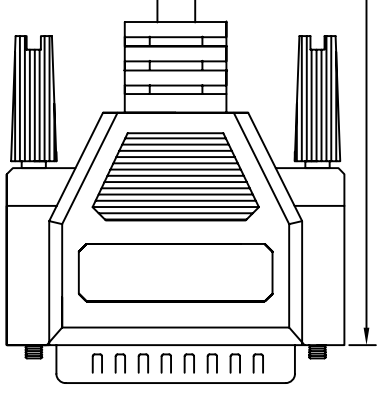
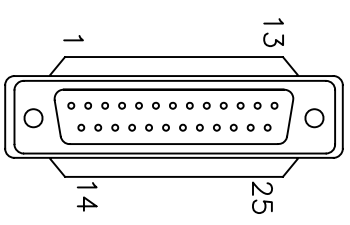


DB 9F (NICKEL PLATED)  
BEIGE MOLDING

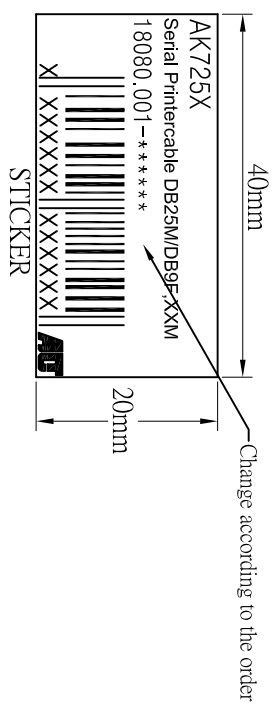
ITEM NO.	Length	Tolerance	STICKER
AK 7252	1800mm	30mm	8716065114935
AK 7253	3000mm	30mm	8716065114942
AK 7254	5000mm	50mm	8716065114959



DB 25M(NICKEL PLATED)  
BEIGE MOLDING



1#T



- NOTE:
1. CABLE:NON-UL 28#\*8C+1+AL,OD=5.0mm,BEIGE COLOR,PVC JACKET.
  2. LENGTH: L
  3. CONNECTOR:DB 9F\*1PCS,DB25M\*1PCS,(BLUE INSULATOR,NICKEL PLATED)
  4. MOLD:"IBM" MOLDING(BEIGE COLOR)
  5. SCREW: #4-40 UNC\*4 SCREW
  6. CONTACTS:
- |        |   |   |     |   |   |     |    |    |             |
|--------|---|---|-----|---|---|-----|----|----|-------------|
| DB 9F  | 2 | 3 | 1   | 4 | 5 | 7+8 | 6  | 9  | 64          |
| DB 25M | 2 | 3 | 4+5 | 6 | 7 | 8   | 20 | 22 | 64<br>DRAIN |
7. OPEN/SHORT TEST: 100% TEST.
- INSULATION: MIN. 5M.

RoHS Compliant

Company	IBV	Goods Code	Draw	FC001 WJF	Date	2009.10.14		D	
ITEM NO.	AK 725X	Drawing Evidence	Check		Date			C	
Goods NO.			Approval		Date		B	REVISED THE CONTACTS& ADDING PACKAGING INFO	10.04.26.HOS
Original NO.	S-*****	Unit(mm)			Date		VER. A	REVISE	Date

1PCS/PE BAG(0.06\*190\*300mm)+Sticker

