

**AK5293**

---

PC2059

**CABLE REQUIREMENTS:**

**Make:**

**Colour:** BLACK

**Type:**  
3 CORE 1.00mm<sup>2</sup> H05VV-F

**PLUG REQUIREMENTS:**

**Type:** FREE END

**Colour:** N/A

**Rating:** N/A

**Reference:** N/A

**CONNECTOR REQUIREMENTS:**

**Type:** SG597U

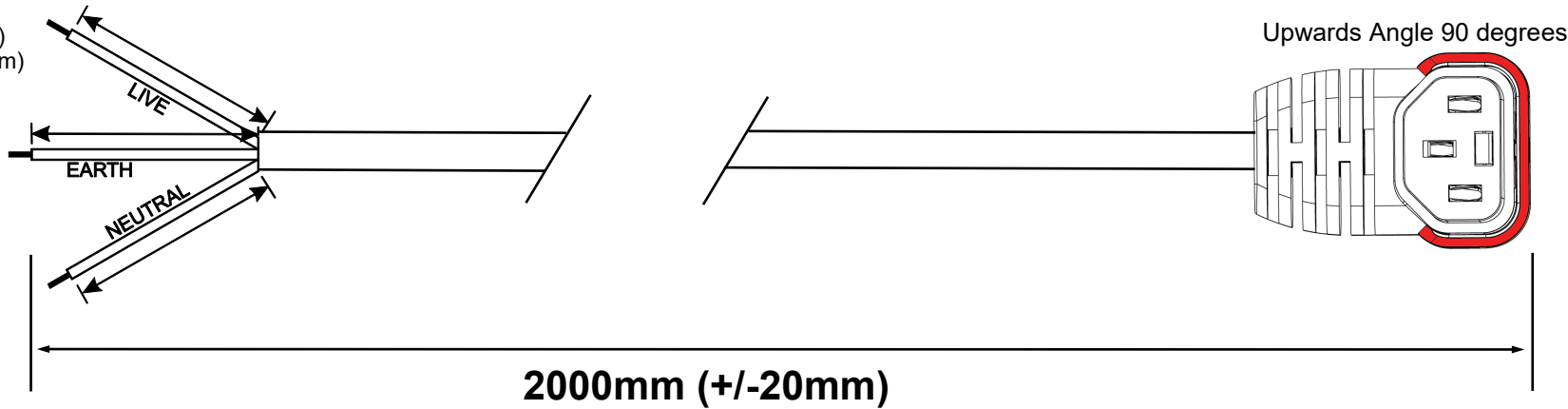
**Colour:** BLACK

**Rating:** 10A

**Reference:**  
U/A C13 IEC Locking+ Connector - EN Approval

**Free End Overall Strip Lengths (Includes Terminations)**

Live = 50mm (+/- 5mm)  
Earth = 50mm (+/- 5mm)  
Neutral = 50mm (+/- 5mm)



**EXTRA REQUIREMENTS**

PACKAGING OUTER ..... TBC

PIN PROTECTING COVER ..... NO

WIRING INSTRUCTIONS ..... NO

**HANKING**

**Fig.8  
(200mm)**

TERMINATION DETAILS		
<b>LIVE / BROWN</b>	<b>NEUTRAL / BLUE</b>	<b>EARTH / GREEN &amp; YELL</b>
Type: Stripped	Type: Stripped	Type: Stripped
Size: 6mm	Size: 6mm	Size: 6mm