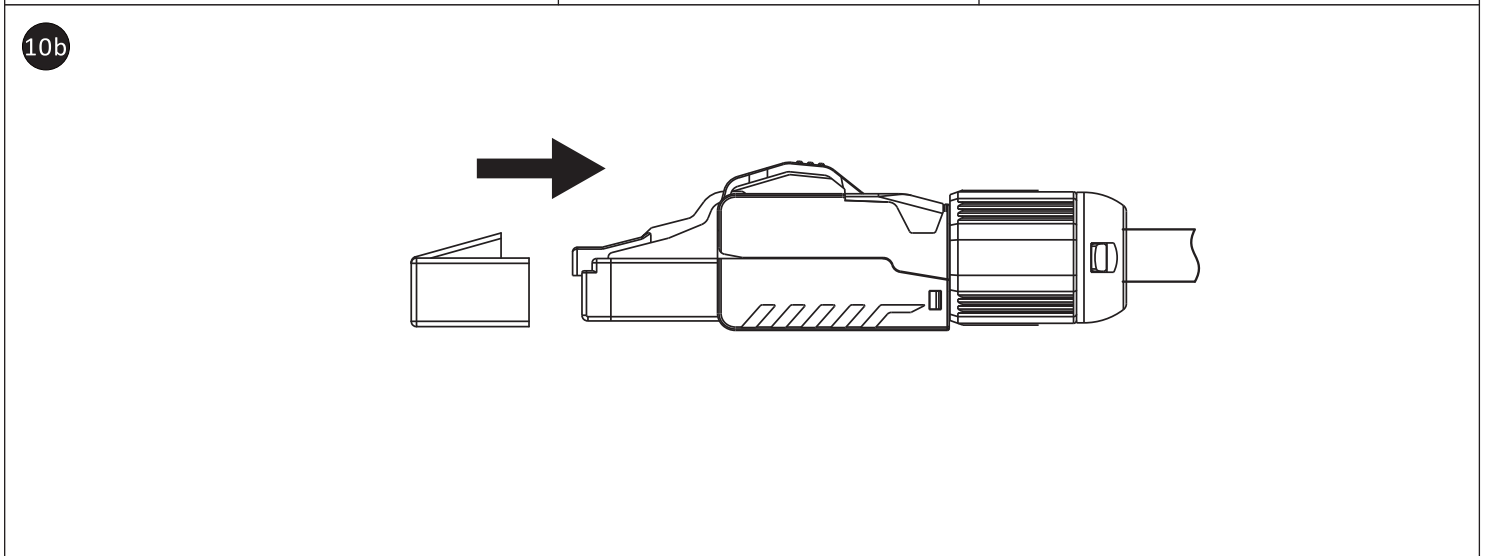
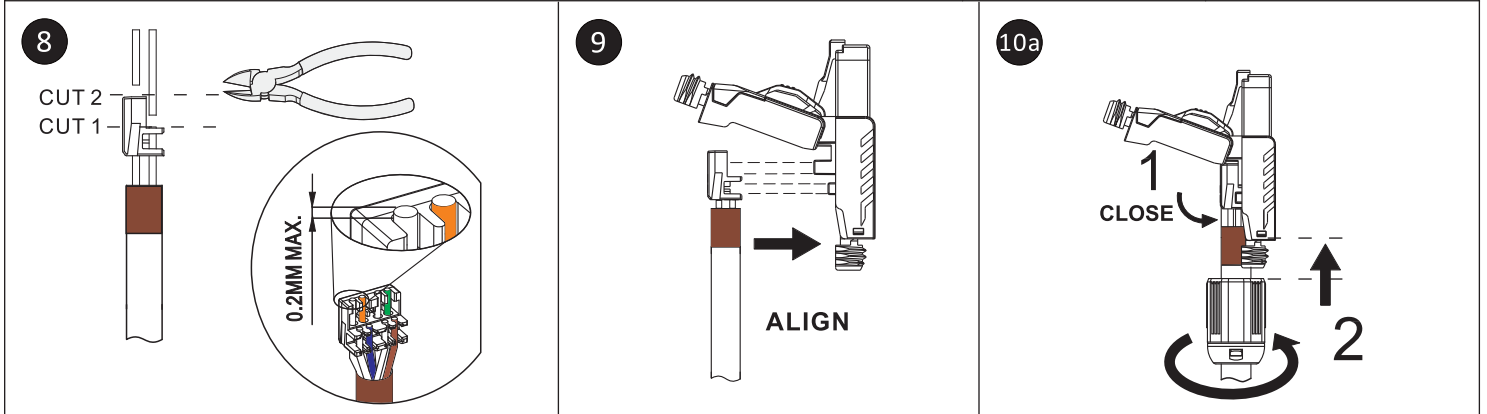
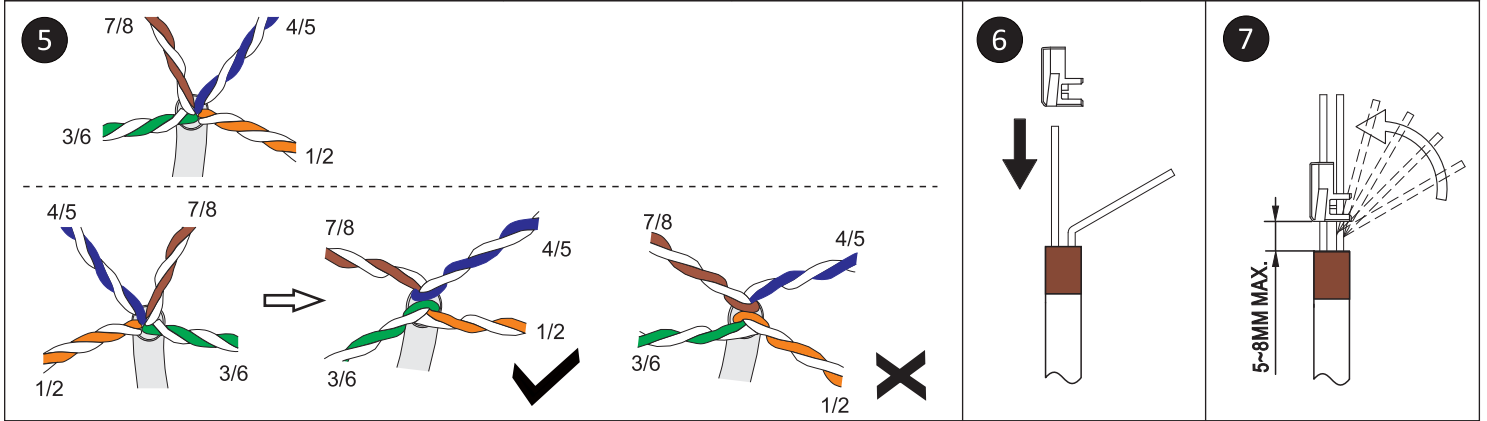
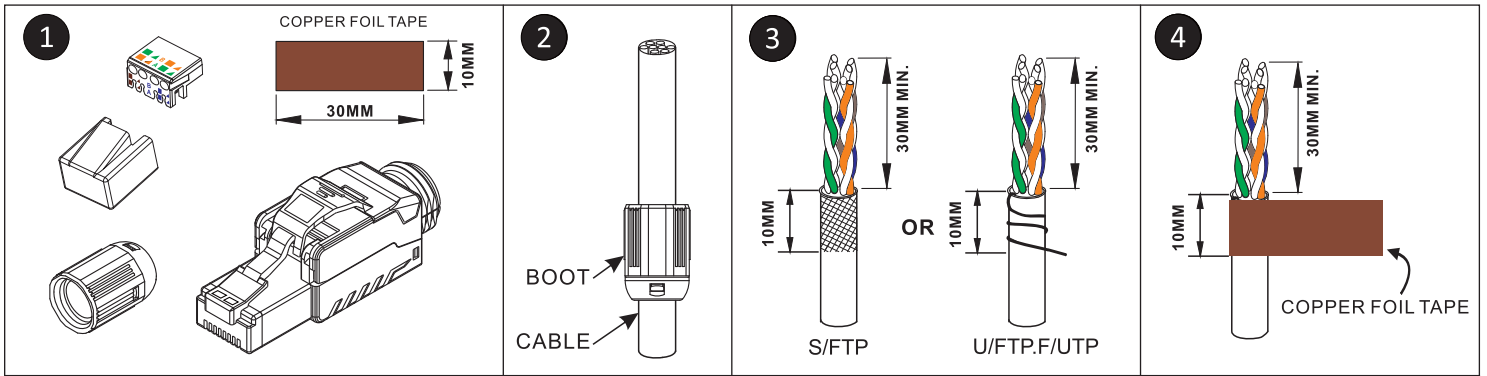


# TD168F ACT Field termination plug RJ45 CAT6A shielded



CABLE INFORMATION FOR INSTALLATION			
TYPE	CONDUCTORS	WIRE OD(MM)	CABLE OD(MM)
C6 <sub>A</sub>	23~26AWG STRANDED & SOLID	1.0-1.4	6.0-7.5