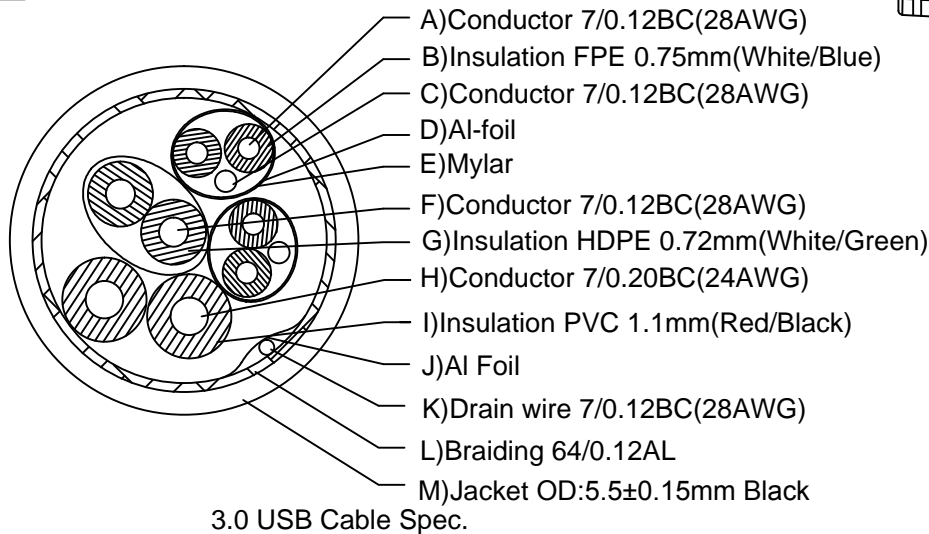
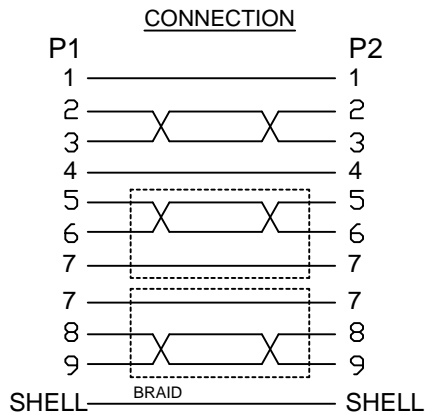
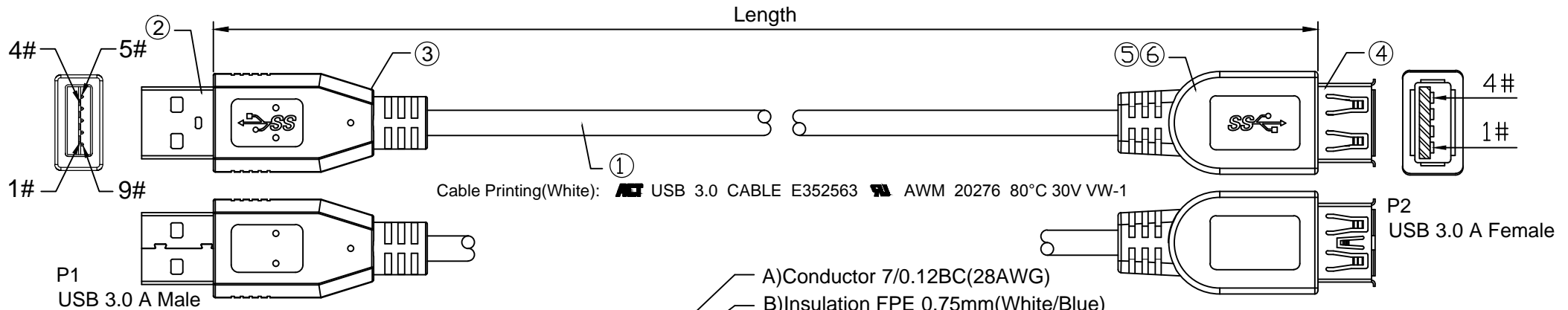


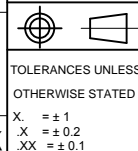
REV.	REVISED DESCRIPTION	DATE	CHECKED
A0	FIRST RELEASE	2019/04/28	



Remark:
 1.100% Open/Short Test
 2.Conductive Resistance:10ohms MAX
 3.Insulation Resistance:5M ohm MIN.
 4.The product is Reach/RoHS compliant.

Item NO.	Length
SB3040	0.5m
SB3041	1.0m
SB3042	1.5m
SB3043	2.0m

ITEM	DESCRIPTIONS & SPECIFICATIONS	QTY	REMARK
⑤	External Mold	Outer Mould 35P PVC, Black	1PC
⑤	Innernal Mold	Inner Mould PE	1PC
④	Connector	USB 3.0 A Female, Nickel-Plated	1PC
③	External Mold	Outer Mould 35P PVC, Black	1PC
②	Connector	USB 3.0 A Male w/ Can-Shieling, Nickel-Plated	1PC
①	Cable	[(7/0.12BC+FPE)*1P+D+AL+Mylar]*2C+ (7/.012BC+HDPE)*1P + (7/0.20BC +PVC)*2C+7/0.12BC+AL+D+B +OD5.5PVC Black	



		ERP NO.:		SAMPLE DWG NO.:	
		DOC No.:		REVISION	A0
CUSTOMER:			UNIT	mm	
CUSTOMER P/N:			SCALE	NO	
DESCRIPTION	28+28+24 USB 3.0 A Male to USB 3.0 A Female	PAGE NO	1/1	DATE	2019/04/28
		APPROVAL		CHECKED	
			DRAWN		