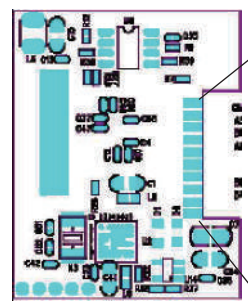
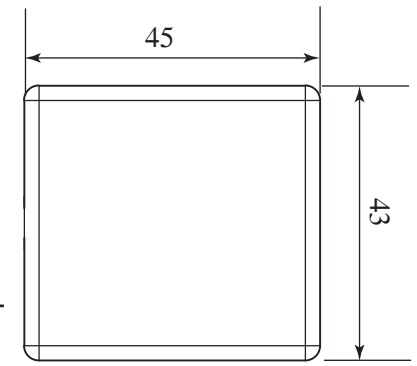


WT/GN
WT/BR
BU/WT
YW/WT
WT/RD



BK . GND
BU
GN
YW
Blank
Blank
Blank
WT
RD



PIN ASSIGNMENT

Type C	WT GN GND	WT YW GND	WT BU GND	WT BR GND	WT RD GND	BU	YW	WT	GN	BK	RD	GRD
PCB	WT GN GND	WT YW GND	WT BU GND	WT BR GND	WT RD GND	BU	YW	WT	GN	BK	RD	GRD

DVI-I F

1. OPEN/SHORT TEST: 100% TEST
2. INSULATION: 5m
3. RoHS Compliant
4. Resolution 3840x2160 @30Hz
2560x1600 @60Hz

④	DVI-I F 24+5P Assembly White Shell	1PCS
③	White 45P PVC	20g
②	USB3.1 Type C M (White Insulator Nickel Plated)	1PCS
①	UL20276 (1P#32+D+AM)x5+#32x4C+#28x1C+AE+B(75%ALB)Black OD=5.0mm	1PCS
No.	Description	Qty

Company		Goods Code		Draw		Date	2015.11.5
ITEM NO.	SB0018	Drawing Evidence		Check		Date	
Description	USB Type C to DVI F			Approval		Date	



D		
C		
B	Add connector size	
VER. A	REVISE	Date