

1 2 3 4 5 6

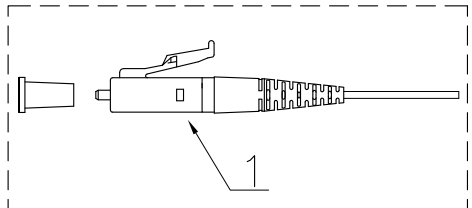
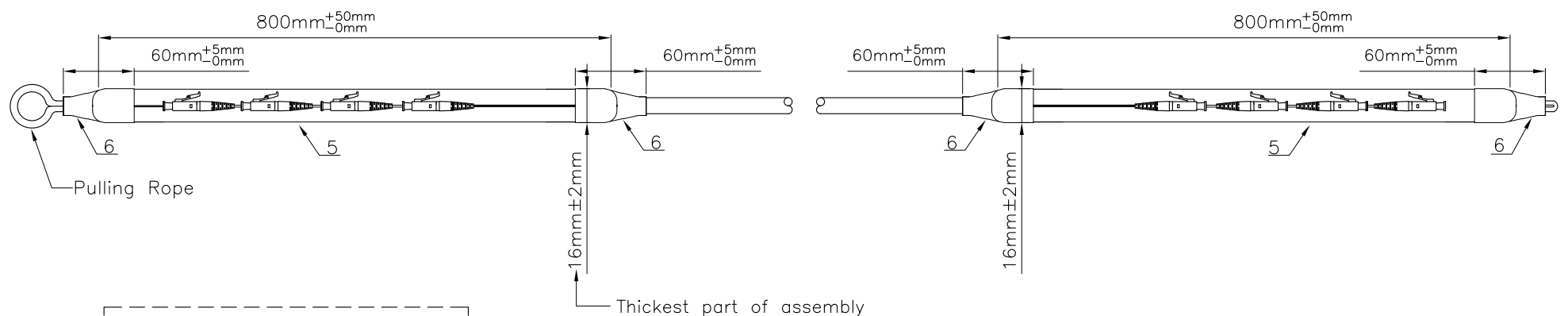
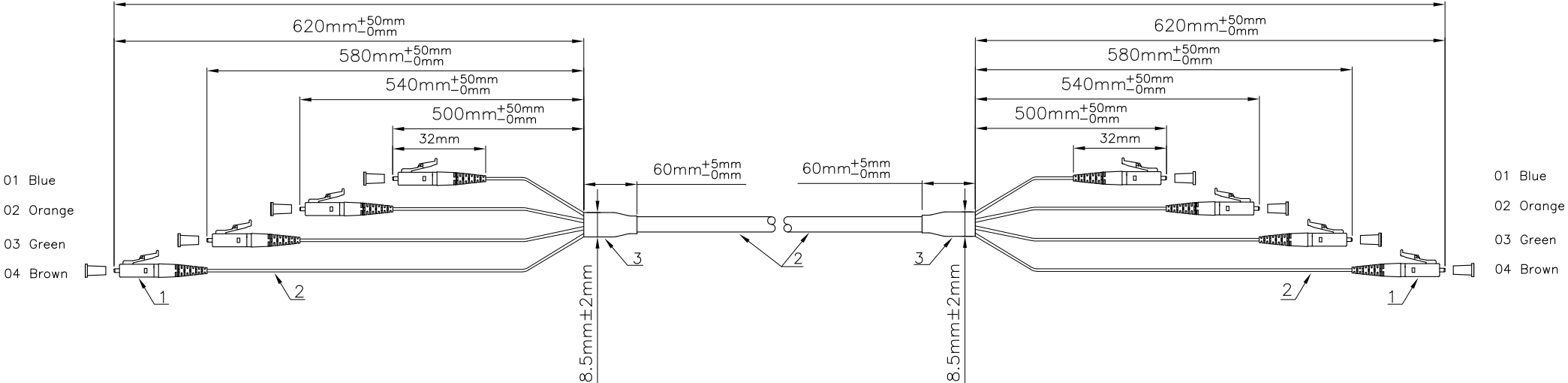
A

B

C

D

4  
XM $\pm$ 0.1M  
-0.0M



LC Connector (SCALE 1/1)

|   |          |                        |  |   |
|---|----------|------------------------|--|---|
| GENERAL TOLERANCE OF DIMENSIONS<br><br>X.XXX $\pm$ 0.1<br>X.XX $\pm$ 0.2<br>X.X $\pm$ 0.3 | DRAWING  | 10.NOV.2022            | YMN  | <b>ACT</b>  |
|   | CHECK    | 10.NOV.2022            | DAY  |   |
|   | APPROVAL | 10.NOV.2022            | FRANK  |   |
|   | DATE     |                        | NAME   | ITEM NO.:   |
| SCALE   | 1/2 (A4) | UNIT                   | mm   | DES.: Indoor&Outdoor Cable 4C OM4 4xLC to 4xLC 900um buffer |
| HSF Spec.   |          | DRAWING NO.            | Indoor&Outdoor Cable 4C OM4 4xLC to 4xLC 900um buffer(S02) |   |
| RoHS  |          | DRAWING CLASSIFICATION | S  | SHEET   |

1 2 3 4 5 6

10cm

02

1

2

3

4

5

6

## Specification:

### 1. LC UPC Connector :

| Mode        | Ferrule           | Housing   | Boot       | Cap       |
|-------------|-------------------|-----------|------------|-----------|
| MM Low Loss | Zirconia(Ø1.25mm) | Ivory(PC) | White(TPV) | White(PE) |

### 2. Cable Type:

- 2-1. 4C Ø6.5mm Indoor/Outdoor Cable with 900um Tight Buffer, UV Resistance.  
EN 50575: 2014+A1: 2016 CPR Dca-s2, d2, a3
- 2-2. Ø0.9mm Jacket for 4 Colors.

| Category      | Jacket O.D. | Jacket Material | Color |
|---------------|-------------|-----------------|-------|
| OM4(50/125um) | Ø6.5mm      | LSZH            | Black |

### 3. Heat Shrink Tubing Length : 60mm

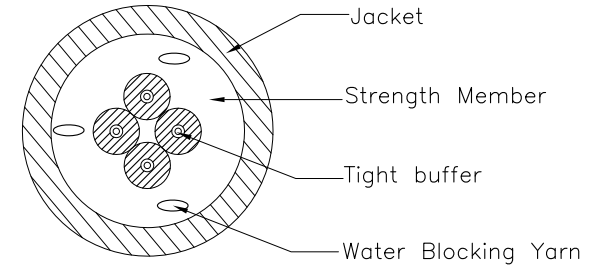
### 4. Length : x Meter

### 5. Protective Tube : Transparent, 12x15mm, PVC Material.

### 6. Heat Shrink Tubing Length : 60mm

### Performance:

- a. Insertion Loss : Typical 0.1dB, Max. < 0.15dB
- b. Return Loss : >35 dB
- c. Insertion Loss will be Increased after 500 mating: 0.2 dB Max
- d. Operating Temperature: -20°C to +70°C
- e. Storage Temperature: -40°C to +80°C



Cable Section (SCALE 5/1)

|                                     |          |                        |  |            |   |
|-------------------------------------|----------|------------------------|--|------------|---|
| GENERAL TOLERANCE OF DIMENSIONS     | DRAWING  | 10.NOV.2022            | YMN  | <b>ACT</b> |   |
|                                     | CHECK    | 10.NOV.2022            | DAY  |            |   |
|                                     | APPROVAL | 10.NOV.2022            | FRANK  |            |   |
| x.xxx ±0.1<br>x.xx ±0.2<br>x.x ±0.3 |          | DATE                   | NAME   | ITEM NO.:  |   |
| HSF Spec.                           | SCALE    | 1/1 (A4)               | UNIT   | mm         | DES.: Indoor&Outdoor Cable 4C OM4 4xLC to 4xLC 900um buffer |
| RoHS                                |          | DRAWING NO.            | Indoor&Outdoor Cable 4C OM4 4xLC to 4xLC 900um buffer(S02) |            |   |
|                                     |          | DRAWING CLASSIFICATION | S  | SHEET      | 2 OF 3  |

1

2

0

3

4

10cm

5

6

1

2

3

4

5

6

## Standard compliance:

IEC 61754-20 Fibre optic connector interfaces – Type LC connector family  
 IEC 61300-3-47 Examinations and measurements – End face geometry of PC/APC spherically polished ferrules using interferometry  
 IEC 60794-2-20 Indoor cables – Family specification for multi-fibre optical cables  
 IEC 60794-1-2 Basic optical cable test procedures  
 IEC 60332-1-2 Test for vertical flame propagation for a single insulated wire or cable  
 IEC 60754-1 Determination of the halogen acid gas content  
 IEC 60754-2 Determination of acidity (by pH measurement) and conductivity  
 IEC 61034-2 Measurement of smoke density of cables burning under defined conditions  
 EN 50575: 2014+A1: 2016 Power, control and communication cables – Cables for general applications in construction works subject to reaction to fire requirements

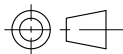

Cable Pulling Tensile Force Max. 350N.

Acc'y: 2 pieces M20 cable gland, fits cable o.d. 8-14mm

## Package:

Bag pack when cable length <120M  
 Reel pack when cable length >=120M, ref. below table.

| 4C       | Reel Weight | Reel Dimension        |
|----------|-------------|-----------------------|
| 120M     | 1.7KG       | H327mm x $\phi$ 345mm |
| 121-240M | 2KG         | H327mm x $\phi$ 400mm |
| 241-290M | 2.8KG       | H330mm x $\phi$ 450mm |
| 291M up  | 3KG         | H330mm x $\phi$ 480mm |

|  |   |             |  |            |   |
|--|---|-------------|--|------------|---|
| GENERAL TOLERANCE OF DIMENSIONS<br><br>x.xxx ±0.1<br>x.xx ±0.2<br>x.x ±0.3 | DRAWING   | 10.NOV.2022 | YMN  | <b>ACT</b> |   |
|  | CHECK   | 10.NOV.2022 | DAY  |            |   |
|  | APPROVAL  | 10.NOV.2022 | FRANK  |            |   |
|  | DATE  | NAME        |  | ITEM NO.:  |   |
| HSF Spec.  | SCALE   | 1/1 (A4)    | UNIT   | mm         | DES.: Indoor&Outdoor Cable 4C OM4 4xLC to 4xLC 900um buffer                           |
| RoHS   |  | DRAWING NO. | Indoor&Outdoor Cable 4C OM4 4xLC to 4xLC 900um buffer(S02) |            |  |
|  | DRAWING CLASSIFICATION  | S           | SHEET  | 3 OF 3     |   |

1

2

0

3

4

10cm

5

6