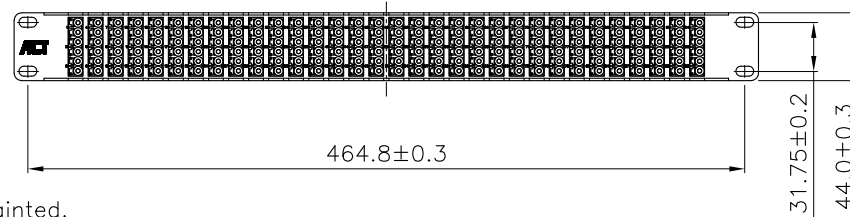
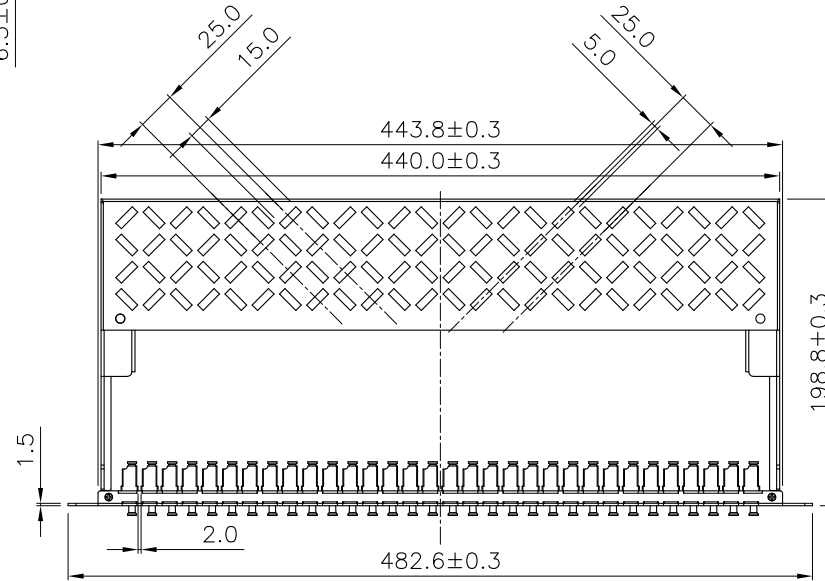
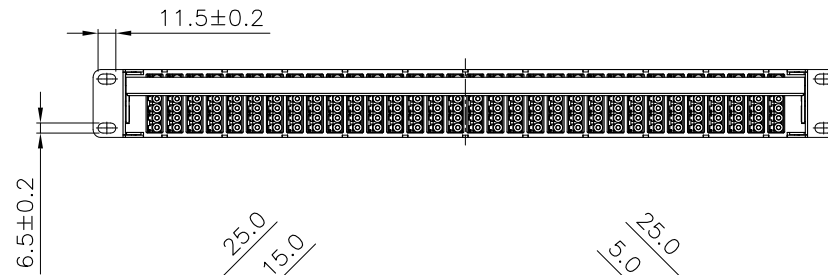
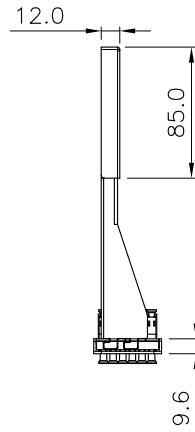


SCALE 1/5



Specification :

- 1.Support bar: SPCC, 1.5mm Thickness With Black(RAL9005) Color Liquid Painted.
- 2.Panel: SPCC, 1.5mm Thickness With Black(RAL9005) Color Liquid Painted.
- 3.LC Adaptor: 32pcs, LC to LC, 6Port Flangless, One piece Type, Zr. Sleeve, Blue Color.

Remarks :

- a.Dimension: Width: 19"(482.6mm) x Depth: 8.1"(205.1mm) x Height: 1.7"(44.0mm)
- b.Net weight: 1.0kg.

"#": Matching DIM. "*": Important DIM. Others General DIM. GENERAL TOLERANCE OF DIMENSIONS X.XXX ±0.005 X.XX ±0.05 X.X ±0.1	DRAWING	27.SEP.2021	DANIEL		
	CHECK	27.SEP.2021	DAY		
	APPROVAL	27.SEP.2021	FRANK		
		DATE	NAME	ITEM NO.: FA2101	
	SCALE	1/5(A4)	UNIT	mm	DES.:FIBER PANEL 192XDUPLEX LC OS2
			DRAWING NO.	FIBER PANEL 192XDUPLEX LC OS2(S01)	
	DRAWING CLASSIFICATION		S	SHEET	