



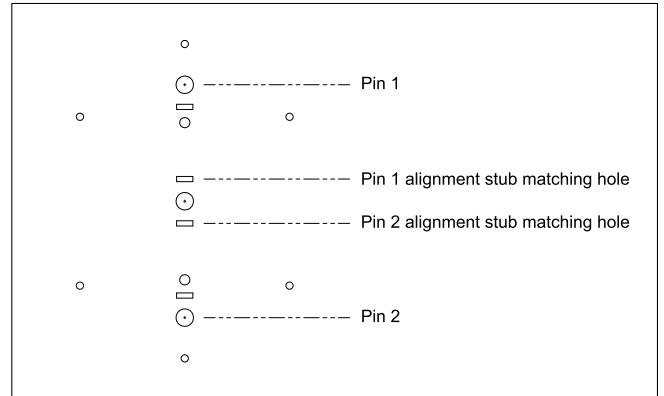
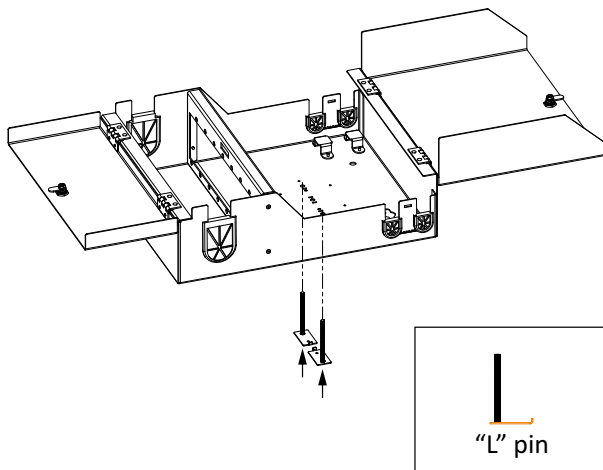
FA2035 Lockable Zone Enclosure Patch Box 8 slots for fiber and twisted pair Installation Instruction

1. Use any of 4 keys in the set to unlock and open doors.
2. Install adaptor panel or cassette onto main panel.
Note: Adaptor panel and cassette are sold separately

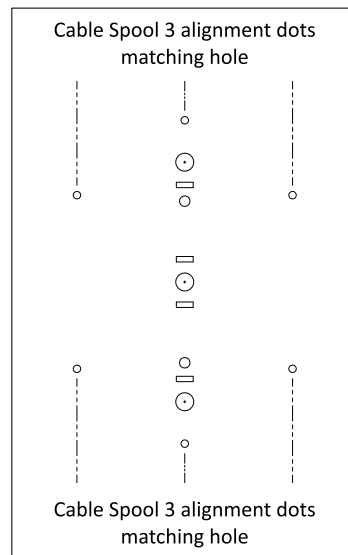
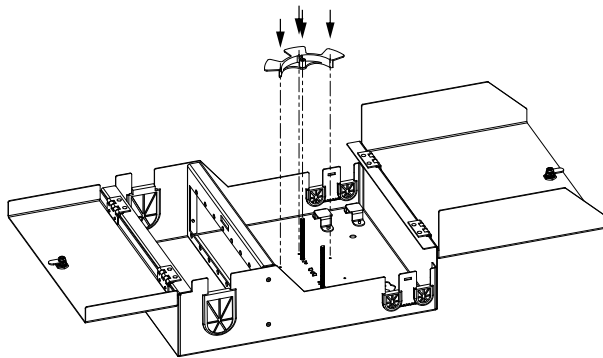
3. Setting Cable Spools or Splice Tray

3.1 Install Cable Spools

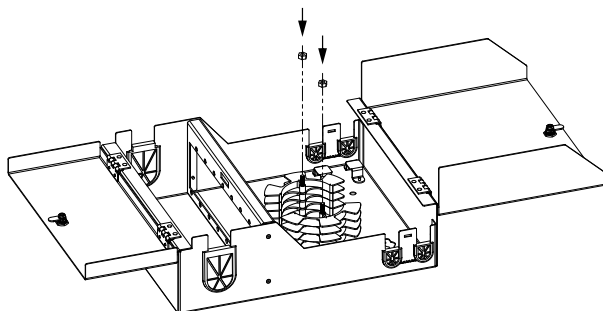
- a) "L" pin went through the wall mounted box from back, the alignment stub should be stuck in a setpoint, so the pin is fixed.



- b) Cable spool has 3 alignment notches on top and dots on back. The alignment dots should be stuck in setpoints, so the spool is fixed. When spools are stacked, the dots should match the notches for alignment.



- c) Secure them with screw nuts



3.2 Install splice tray with a "L" pin and secure it with a screw nut.

Note 1: Splice tray is sold separately.

Note 2: Only has to use 1 "L" pin the middle for splice tray. Alignment stub can be locked on any of the 2 sides.

4. Select Cables Entrances

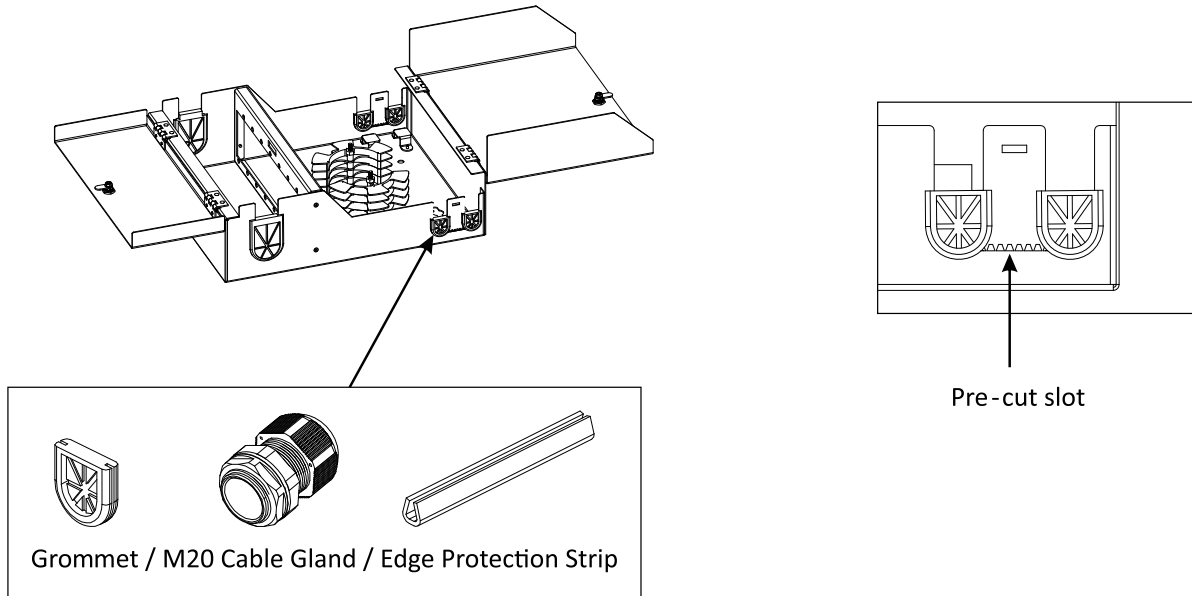
4.1 Grommet – Cut it open following indents before using and run cables.

4.2 M20 Cable Gland – Accept cable OD 6.5mm to 13.0mm.

4.3 Edge Protection Strip – Run volumes of cable

Note 1: Cut proper length of edge protection strip and slide into cable entrance edge.

Note 2: If needed, break the pre-cut slot for more cable space then cut proper length of edge protection strip and slide into the cable entrance edge.



5. Run cables into box, and tight cables on cable brackets, to reduce pulling force from cable entrance edge.

