

SCALE 1/2

C Specification :

Material :

1. Top Case: 1.5mm thickness, SPCC, BK(RAL9005).
2. Bottom Case: 1.5mm thickness, SPCC, BK(RAL9005).
3. Plunger: 2 pcs, Snap Rivet, Male Nylon/Female PC material, Black color.
4. LC Adaptor: 6 pcs, Singlemode, LC Duplex (SC Footprint) Type, W/Zirconia Sleeve, UL 94-V0, Green color.
5. MTP Adaptor: A Type Key Up to Key Down, 1 piece, PEI, UL V-0, Black color.
6. Screw: 14 pcs, M2.0x6.0 Zinc Plated, Wafer Head, Black color.
7. MTP Dust Cover: 1 piece, PC, Black color.
8. Screw: 2 pcs, M3.0x4.0/4.5mm Zinc Plated, Wafer Head, Black color.
9. Harness Patch Cord: 1 pcs, MTP(Male) to LC G657A2 12C Patch cord 30cm.

Performance :

- a. Dimension: 1.18" x 3.59" x 5.12"
(30.0 x 91.1 x 130.0mm)
- b. Weight: 0.40kg.
- c. Surface Finished: Painted, BK(RAL9005)

GENERAL TOLERANCE OF DIMENSIONS X.XXX ±0.005 X.XX ±0.05 X.X ±0.1	DRAWING	23.FEB.2013	YMN	
	CHECK	23.FEB.2013	DAY	
	APPROVAL	23.FEB.2013	JAIMY	
	DATE		NAME	
SCALE	1/2 (A4)	UNIT	mm	DES.: A&C Type Standard G657A2 LC 12P MTP LGX cassette
		DRAWING NO. G657A2 LC 12P MTP LGX cassette(SA1)		
DRAWING CLASSIFICATION		S	SHEET 1 OF 2	

1 2 3 4 5 6

30.0cm \pm $\frac{0.0}{2.0}$

4.5cm \pm 0.2

3.0cm

Position 1
Fiber 1

Key-up

Fiber 12
Position 12

- 01 Blue
- 02 Orange
- 03 Green
- 04 Brown
- 05 Gray
- 06 White
- 07 Red
- 08 Black
- 09 Yellow
- 10 Purple
- 11 Pink
- 12 Aqua

A

A

B

B

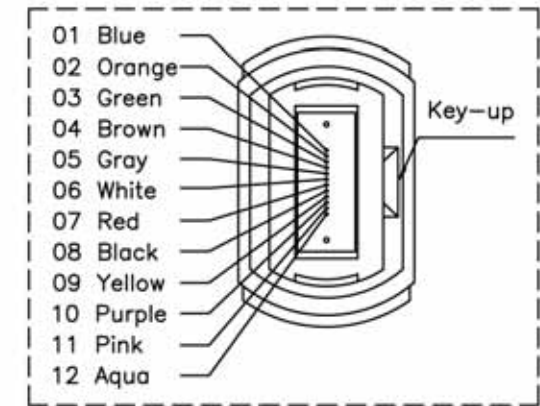
Specification :

Material :

1. Connector Type : Guide pin MTP Singlemode, Male Connector.
 - 1-1. Protective Cap : TPR, Black color.
 - 1-2. MT Ferrule : 12 Fibers, PPS, Black color, Singlemode.
 - 1-3. MTP Housing : PBT, Green color.
 - 1-4. Strain Relief Boot : TPR, Black color.
2. Connector Type : LC/APC Singlemode, Green Color.
 - 2-1. Protective Cap : PE, White color.
 - 2-2. Ferrule : ϕ 1.25mm, Zirconia, Singlemode.
 - 2-3. LC Housing : PC, Green color.
 - 2-4. Strain Relief Boot : PVC, White color.
3. Shrink Tube : 1.5cm. Use Black Heat Shrink Tube.
4. Tubing Type:
 - 4-1. Fiber : SM G657A2 9/125um Singlemode.
 - 4-2. 12 tubes Hytrel material, 0.9mm tube 12 Colors.
5. Fanout MTP(Male) to LC G657A2 12C Patch cord 30cm.
1(Blue)/2(Orange)/3(Green)/4(Brown)/5(Grey)/6(White)/7(Red)/8(Black)/9(Yellow)/10(Purple)/11(Pink)/12(Aqua).

Performance :

- a. Insertion Loss :
 - LC Type : < 0.50 dB
 - MTP Type : < 0.75 dB
- b. Return Loss :
 - LC/APC Type : \geq 60 dB
 - MTP Type : \geq 60 dB
- c. Fiber Extension(LC) : $-0.05\mu\text{m} < H < +0.05\mu\text{m}$
- d. Fiber overcut(MTP) : 0.3~3.0um
- e. Apex Offset : < 50um
- f. Operating Temperature : -20°C to $+70^{\circ}\text{C}$
- g. Storage Temperature : -40°C to $+80^{\circ}\text{C}$



Connector Section (SCALE 3/1)

C

C

D

D

GENERAL TOLERANCE OF DIMENSIONS X.XXX \pm 0.005 X.XX \pm 0.05 X.X \pm 0.1	DRAWING	23.FEB.2013	YMN	
	CHECK	23.FEB.2013	DAY	
	APPROVAL	23.FEB.2013	JAIMY	
	DATE	NAME	FA2024	
SCALE	1/1 (A4)	UNIT	mm	DES.: Standard Harness 0.3m G657A2 MTP to LC Patch Cord
	DRAWING NO.	Harness G657A2 MTP to LC 30cm(SA1)		
	DRAWING CLASSIFICATION	S	SHEET 2 OF 2	

1 2 3 4 5 6