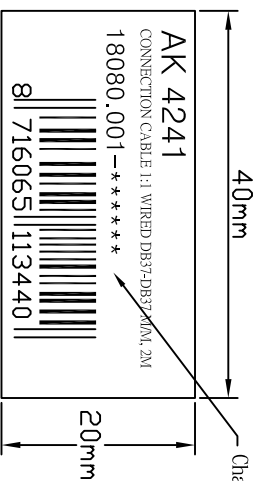


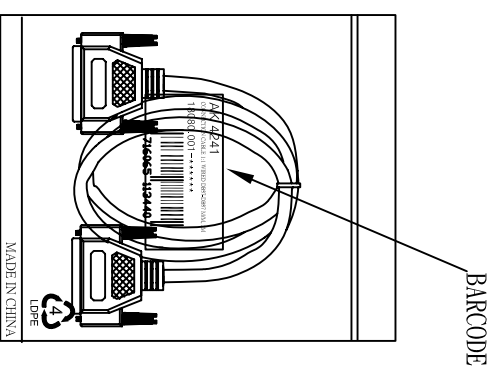
NOTE:

1. CABLE:28AWG, NON-UL, 37C+1+AL/MY, OD=8.0mm, BEIGE COLOR, PVC JACKET.
2. LENGTH:2000mm
3. CONNECTOR: DB37M*2(BLUE INSULATOR).
4. MOLD: IBM MOLDING
5. SCREW: 4*40 INCH THUMBSCREW *4PCS
6. CONTACTS:

DB37M	1	2	3...	35	36	37	64
DB37M	1	2	3...	35	36	37	64
7. OPEN/SHORT TEST: 100% TEST.
INSULATION: 5M.



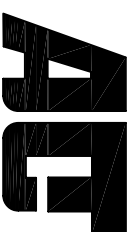
Change according to the order



RoHS Compliant

1PCS/PE BAG(0.06*190*300)+BARCODE

Company	IBV	Goods Code	Draw	WJF	Date	2009.02.13
ITEM NO.	AK4241	Drawing Evidence	Check		Date	
Goods NO.			Approval		Date	
Original NO.	K-2801185	Unit(mm)				



D		
C		
B	Adding packing info	10.10.13 ZGY
VER. A	REVISE	Date