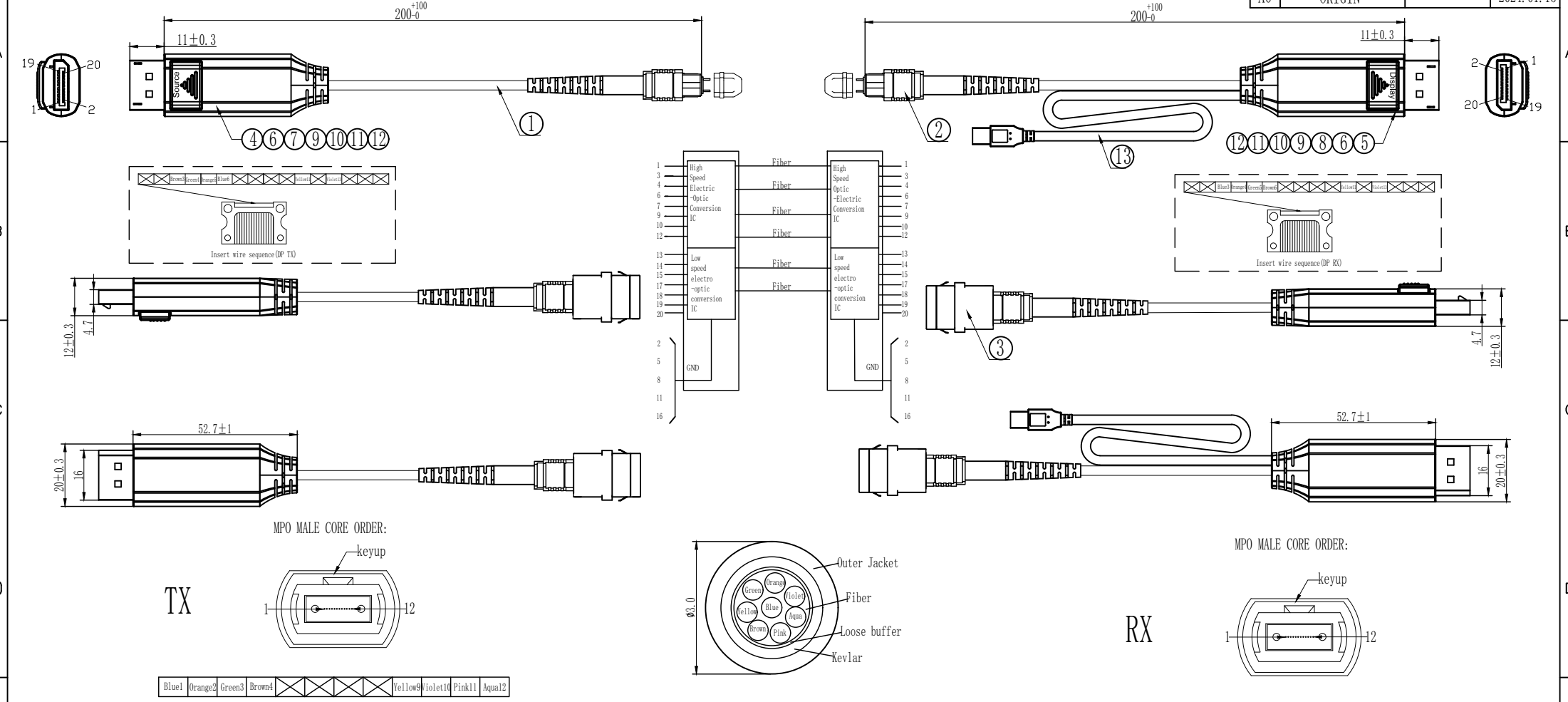


REV	DESCRIPTION	SIGNATURE	DATE
AO	ORIGIN		2024. 01. 15



13	USB power supply cord (45±5cm)	1	PCS
12	SR Black	2	PCS
11	Clip	2	PCS
10	Screw	4	PCS
9	DP A male metal shell push botton Matte	2	PCS
8	DP Male metal bottom shell (Display)	1	PCS
7	DP Male metal bottom shell (Source)	1	PCS
6	DP Male metal upper shell	2	PCS
5	DP PCBA (Display)	1	PCS
4	DP PCBA (Source)	1	PCS
3	Adapter	2	PCS
2	MPO/PC multi-mode male connector	2	PCS
1	Optical cable 8-Fiber Standard MPO. Polarity Method B. LSZH Jacket. Pink OD: $\phi 3.0 \pm 0.2$	2	PCS
ITEM	SPECIFICATION	Q'TY	UNIT

TOLERANCES UNLESS OTHERWISE STATED	
X.	=±1
X.X	=±0.25
X.X X	=±0.1
TOOLING DECIMALS ANGLES	
X.	$\pm 0.3 \pm 1^\circ$
X.X	$\pm 0.2 \pm 0.5^\circ$
X.XX	$\pm 0.1 \pm 0.5^\circ$

ACT CONNECTIVITY SOLUTIONS

TYPE: DP 1.4 Fiber Extender over MPO Optic Cable

DRAW: PART NO: AK4165

CKD: CUSTOMER: UNIT: mm

APP: DWG NO: REV: AO

SHEET: 1/1 DATE: 2024. 01. 15