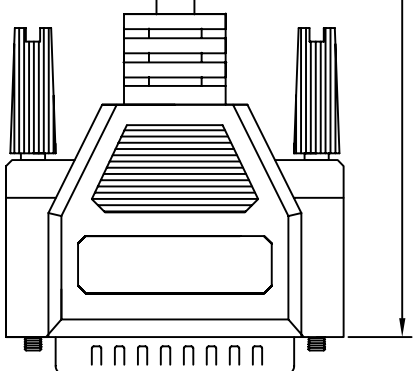
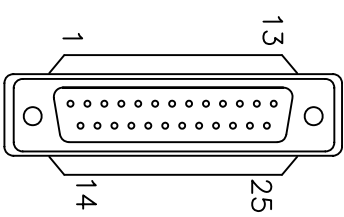


DB9F
BEIGE MOLDING

ITEM NO.	Length	Tolerance	Barcode
AK1230	1800mm	30mm	8716065110678
AK1231	3000mm	30mm	8716065110685



DB25M
BEIGE MOLDING



L+T

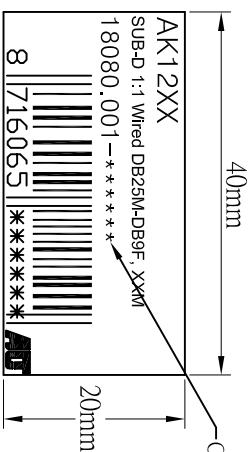
NOTE:

1. CABLE:28AWG, NON-UL, AL-FOIL, 9C+1, BEIGE COLOR, OD=5.0mm, PVC JACKET
2. LENGTH:L
3. CONNECTORF: DB9F *1PCS, DB25M *1PCS(BLUE INSULATOR)
4. MLOD:BEIGE MOLDING
5. SCREW: #4*40 INCH SCREW *4PCS
6. CONTACTS:

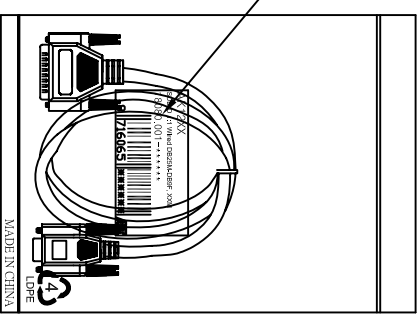
DB9F	1	2	3	4	5	6	7	8	9	64
DB25M	8	3	2	20	7	6	4	5	22	64
7. OPEN/SHORT: 100% TEST.
INSULATION:MIN. 5M.

RoHS Compliant

Company	I.B.V	Goods Code	Draw	FC001 WJF	Date	2009.10.13
ITEM NO.	AK12XX	Drawing Evidence	Check		Date	
Goods NO.			Approval		Date	
Original NO.	S:*****	Unit(mm)				



Change according to the order
STICKER



1PCS/PE BAG+STICKER

D		VER. A	REV1SF	Date
C		B	Adding Packaging Info.	10.04.02ZXXW

