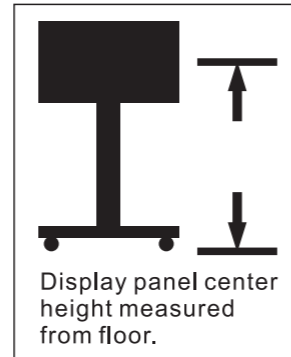
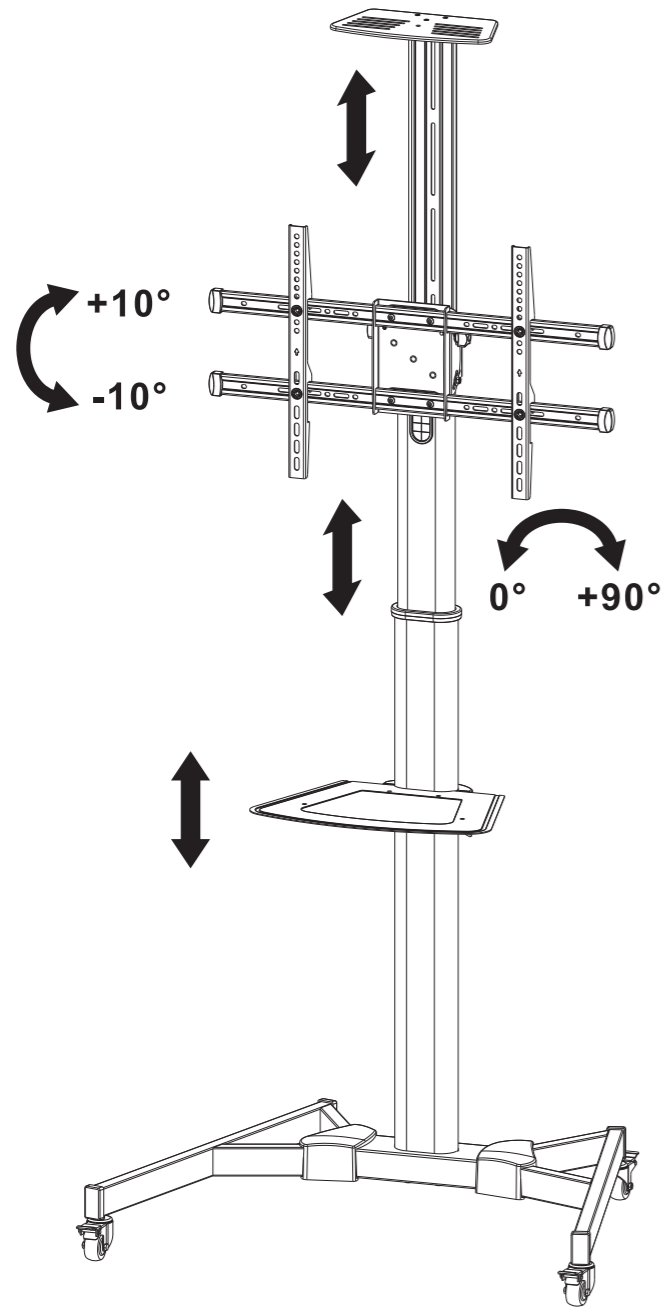


## 12. Adjustment

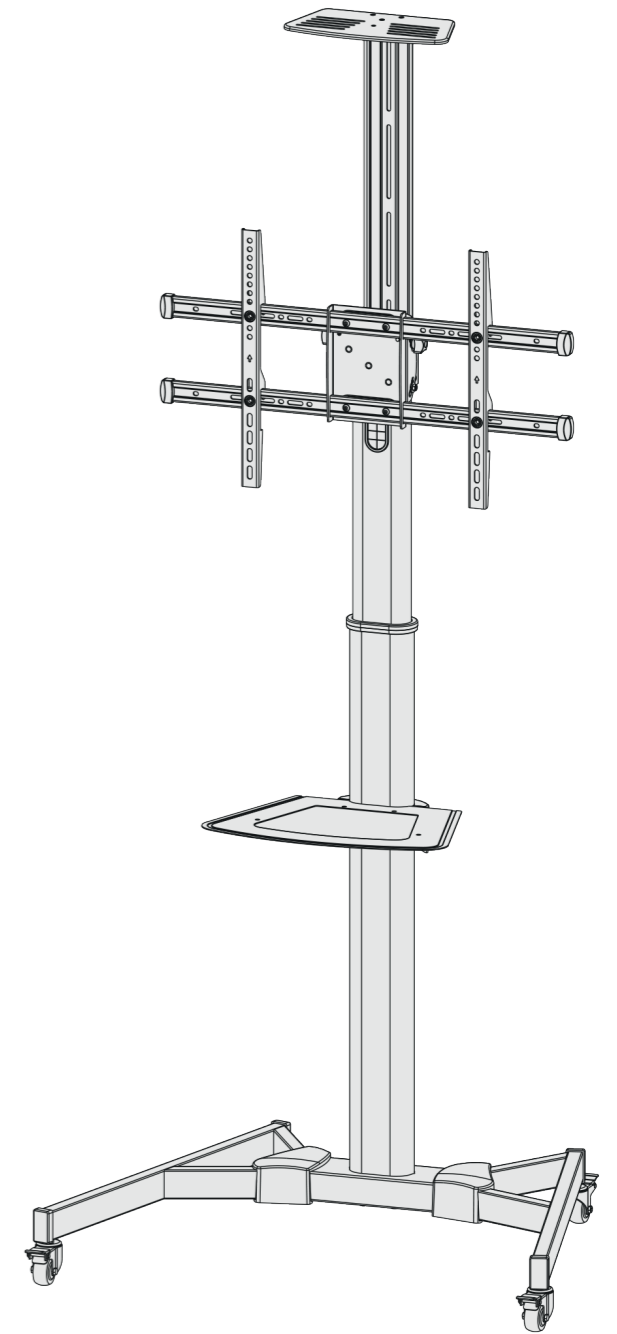


Display panel center height measured from floor.

# ACT

## TV Floor Stand

AC8370



**EN** You can find safety information at [www.act-connectivity.com/safety](http://www.act-connectivity.com/safety)

**NL** Kijk op [www.act-connectivity.com/safety](http://www.act-connectivity.com/safety) voor de veiligheidsinformatie **FR** Vous pouvez trouver des informations portant sur la sécurité sur [www.act-connectivity.com/safety](http://www.act-connectivity.com/safety) **IT** È possibile trovare informazioni sulla sicurezza sul sito [www.act-connectivity.com/safety](http://www.act-connectivity.com/safety) **DE** Sicherheitshinweise finden Sie unter [www.act-connectivity.com/safety](http://www.act-connectivity.com/safety) **ES** Puede encontrar información de seguridad en [www.act-connectivity.com/safety](http://www.act-connectivity.com/safety) **PT** Pode encontrar informações relativas a segurança em [www.act-connectivity.com/safety](http://www.act-connectivity.com/safety) **HU** A biztonsági információkat a [www.act-connectivity.com/safety](http://www.act-connectivity.com/safety) oldalon találhatja meg **CZ** Bezpečnostní informace můžete nalézt na adrese [www.act-connectivity.com/safety](http://www.act-connectivity.com/safety) **DK** Du kan finde sikkerhedsoplysningerne på [www.act-connectivity.com/safety](http://www.act-connectivity.com/safety) **NO** Du finner sikkerhetsinformasjon på [www.act-connectivity.com/safety](http://www.act-connectivity.com/safety) **SE** Du hittar säkerhetsinformation på [www.act-connectivity.com/safety](http://www.act-connectivity.com/safety) **FI** Turvallisuustiedot löytyvät osoitteesta [www.act-connectivity.com/safety](http://www.act-connectivity.com/safety) **SI** Varnostne informacije so na voljo na naslovu [www.act-connectivity.com/safety](http://www.act-connectivity.com/safety) **GR** Μπορείτε να βρείτε πληροφορίες ασφαλείας στη διεύθυνση [www.act-connectivity.com/safety](http://www.act-connectivity.com/safety) **BG** Информация за безопасност ще откриете на [www.act-connectivity.com/safety](http://www.act-connectivity.com/safety) **PL** Informacje dotyczące bezpieczeństwa znajdują się pod adresem [www.act-connectivity.com/safety](http://www.act-connectivity.com/safety).

**EN** For service, manuals, firmware or updates visit [www.act-connectivity.com](http://www.act-connectivity.com)

**NL** Voor service, handleidingen, firmware updates bezoek u [www.act-connectivity.com](http://www.act-connectivity.com) **FR** Pour l'entretien, les manuels, les mises à jour du firmware ou l'assistance, visitez [www.act-connectivity.com](http://www.act-connectivity.com) **IT** Per servizi, manuali, aggiornamento firmware e supporto visitare [www.act-connectivity.com](http://www.act-connectivity.com) **DE** Dienstleistungen, Handbücher, Firmware-Updates oder Support-Dienste werden unter [www.act-connectivity.com](http://www.act-connectivity.com) angeboten **ES** Para obtener asistencia, manuales, actualizaciones de firmware o soporte, visite [www.act-connectivity.com](http://www.act-connectivity.com) **PT** Para assistência, manuais, atualizações de firmware ou apoio técnico, visite [www.act-connectivity.com](http://www.act-connectivity.com) **HU** Szerviz, kézikönyvek, firmware-frissítések és támogatás ügyében látogasson el a következő oldalra: [www.act-connectivity.com](http://www.act-connectivity.com) **CZ** Bezpečnostní informace můžete nalézt na adrese [www.act-connectivity.com](http://www.act-connectivity.com) **DK** Du kan finde sikkerhedsoplysningerne på [www.act-connectivity.com](http://www.act-connectivity.com) **NO** Du finner sikkerhetsinformasjon på [www.act-connectivity.com](http://www.act-connectivity.com) **SE** Du hittar säkerhetsinformation på [www.act-connectivity.com](http://www.act-connectivity.com) **FI** Turvallisuustiedot löytyvät osoitteesta [www.act-connectivity.com](http://www.act-connectivity.com) **SI** Varnostne informacije so na voljo na naslovu [www.act-connectivity.com](http://www.act-connectivity.com) **BG** Информация за безопасност ще откриете на [www.act-connectivity.com](http://www.act-connectivity.com) **GR** Μπορείτε να βρείτε πληροφορίες ασφαλείας στη διεύθυνση [www.act-connectivity.com](http://www.act-connectivity.com) **PL** Informacje dotyczące bezpieczeństwa znajdują się pod adresem [www.act-connectivity.com](http://www.act-connectivity.com).

**5 Year Warranty** ACT, Koolhovenstraat 1E, 3772 MT Barneveld, The Netherlands

**EN** Made in China

**NL** Geproduceerd in China **FR** Fabriqué en Chine **IT** Prodotto in Cina **DE** Hergestellt in China **ES** Hecho en China **PT** Fabricado na China **HU** Kínában készült **CZ** Vyrobeno v Číně **DK** Fremstillet i Kina **NO** Laget i Kina **SE** Tillverkad i Kina **FI** Valmistettu Kiinassa **SI** Izdelano na Kitajskem **BG** Произведено в Китай **GR** Κατασκευασμένο στην Κίνα **PL** Wyprodukowano w Chinach

[www.act-connectivity.com](http://www.act-connectivity.com)

INSTALLATION MANUAL

### Maintenance

- Check that the bracket is secure and safe to use at regular intervals (at least every three months).
- Please contact your reseller if you have any questions.



200x200/300x300  
400x200/400x400  
600x400



70"  
MAX



rated  
Flatscreen  
50kg/110lbs



rated  
Shelf  
5kg/11lbs



rated  
for CAMERA  
5kg/11lbs



Read the entire instruction manual before you start installation and assembly. If you have any questions regarding any of the instructions or warnings, please contact your local reseller for assistance.

## CAUTION

- Use with products heavier than the rated weights indicated may result in instability causing possible injury.
- Please closely follow the assembly instructions. Improper installation may result in damage or serious personal injury.
- Safety gear and proper tools must be used. This product should only be installed by professionals.
- Make sure that the supporting surface will safely support the combined weight of the equipment and all attached hardware and components.
- Use the mounting screws provided and DO NOT OVER TIGHTEN mounting screws.
- This product contains small items that could be a choking hazard if swallowed. Keep these items away from children.
- This product is intended for indoor use only. Using this product outdoors could lead to product failure and personal injury.

### Required for Installation



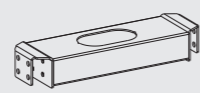
### Component Checklist



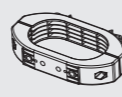
left cover  
A



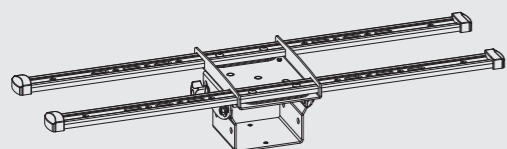
right cover  
B



middle base  
C



fastener  
D



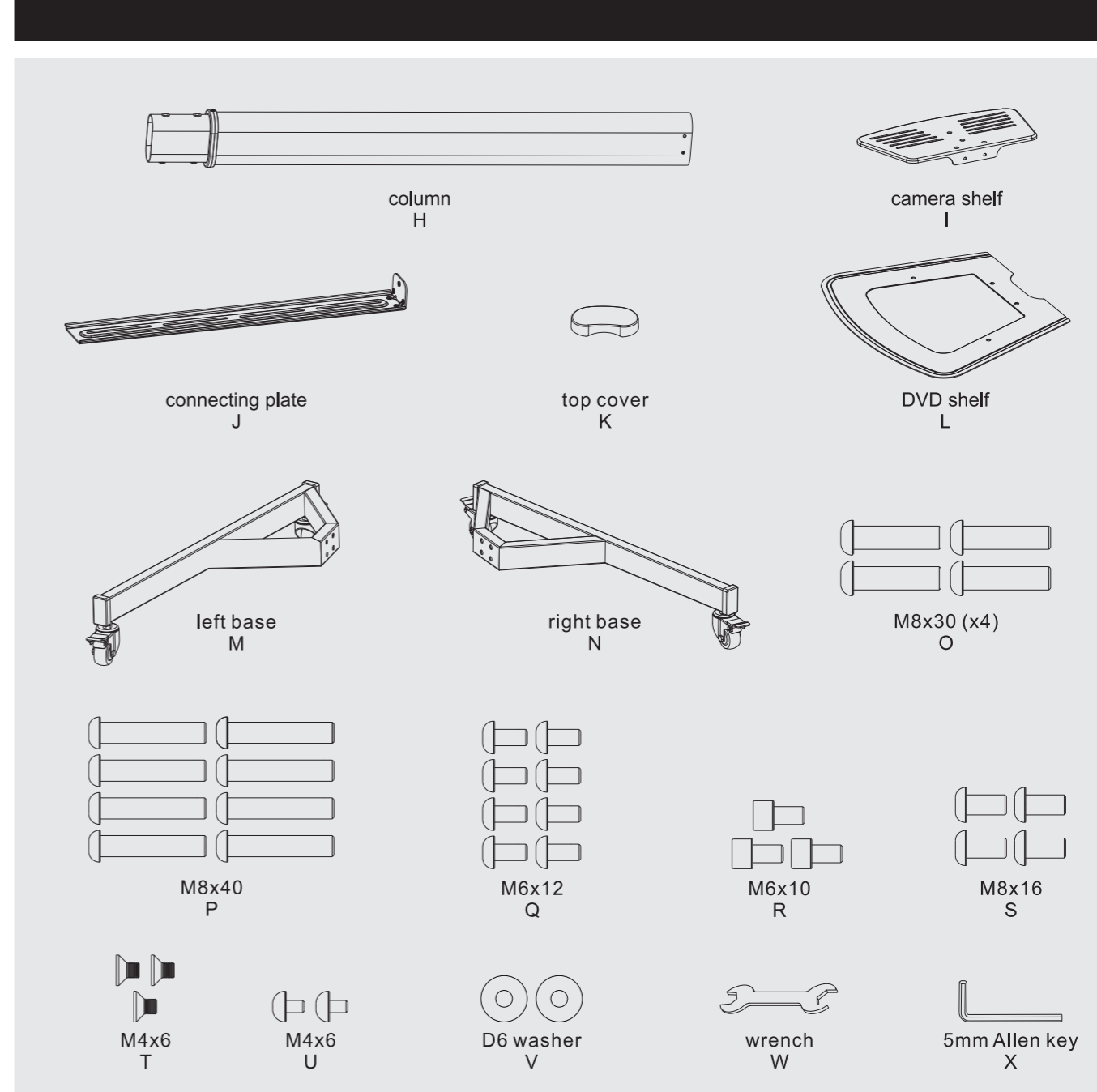
universal plate  
E



adapter bracket  
F

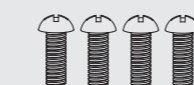


cable cover  
G

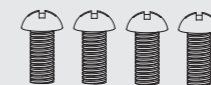


**IMPORTANT:** Ensure that you have received all parts according to the component checklist prior to installation. If any parts are missing or faulty, contact your place of purchase for a replacement.

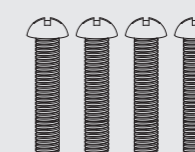
### Package M



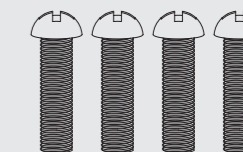
M5x14  
M-A



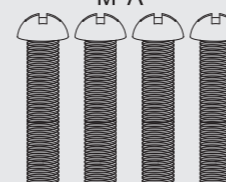
M6x14  
M-B



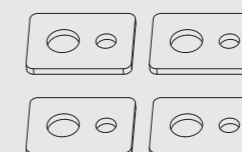
M6x30  
M-C



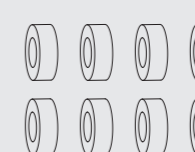
M8x30  
M-D



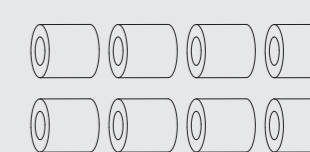
M8x50  
M-E



washer  
M-F

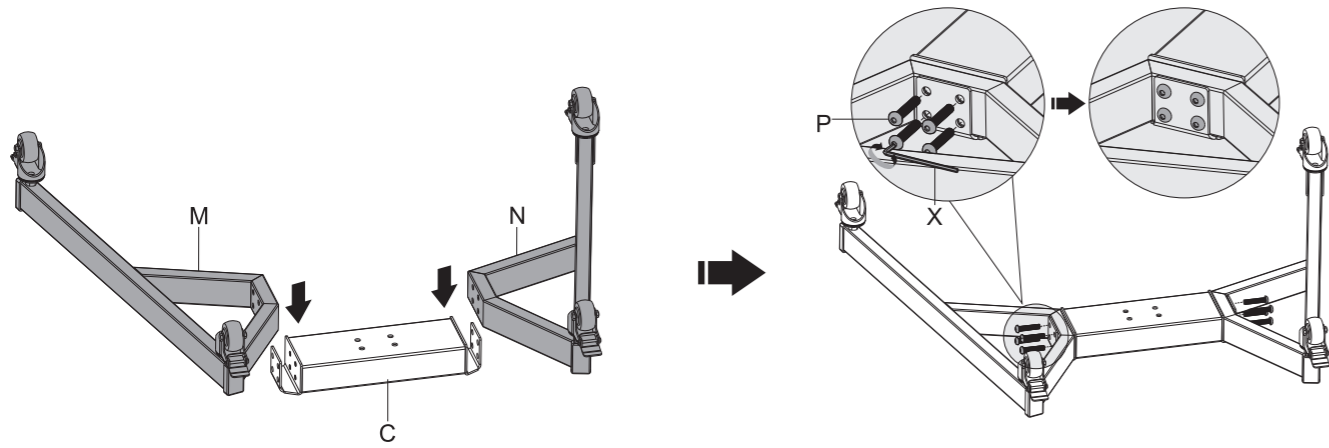


small spacer  
M-G

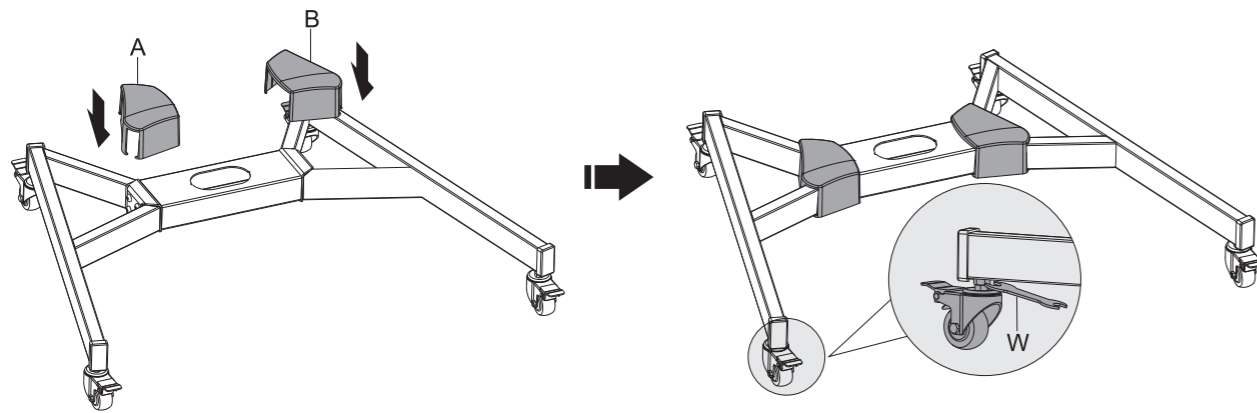


big spacer  
M-H

## 1. Assembling the Base

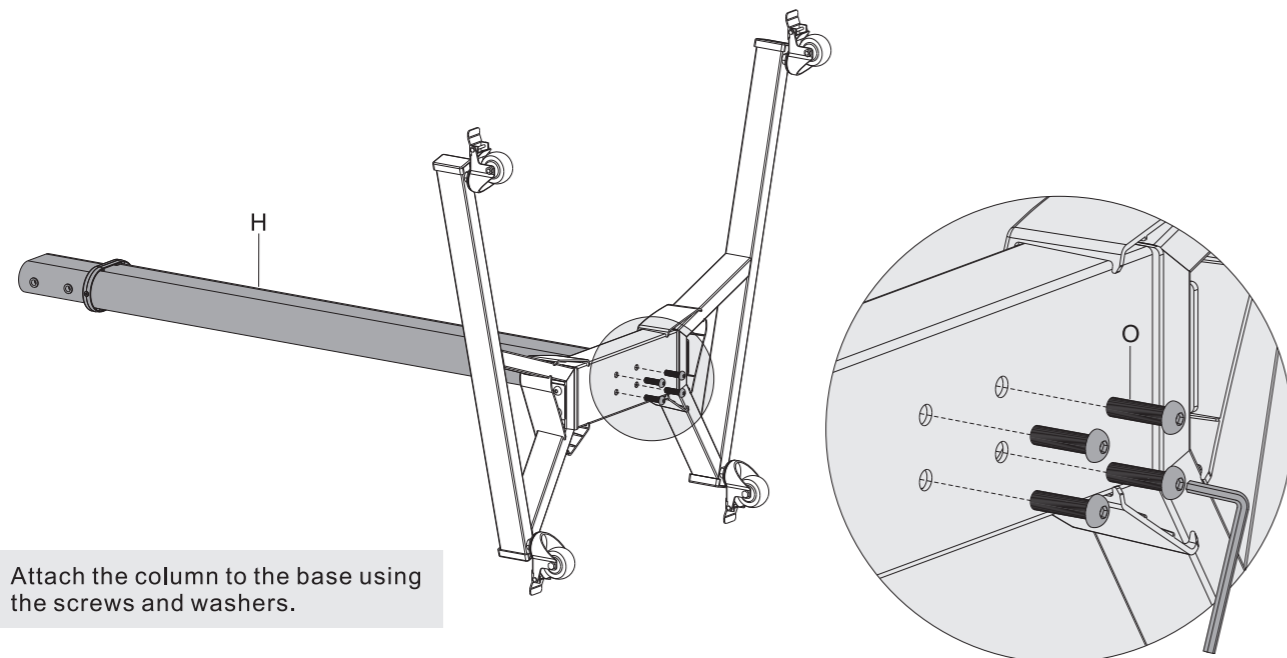


Attach the right base to the middle base and secure with screws(P). Repeat this step for the left base.



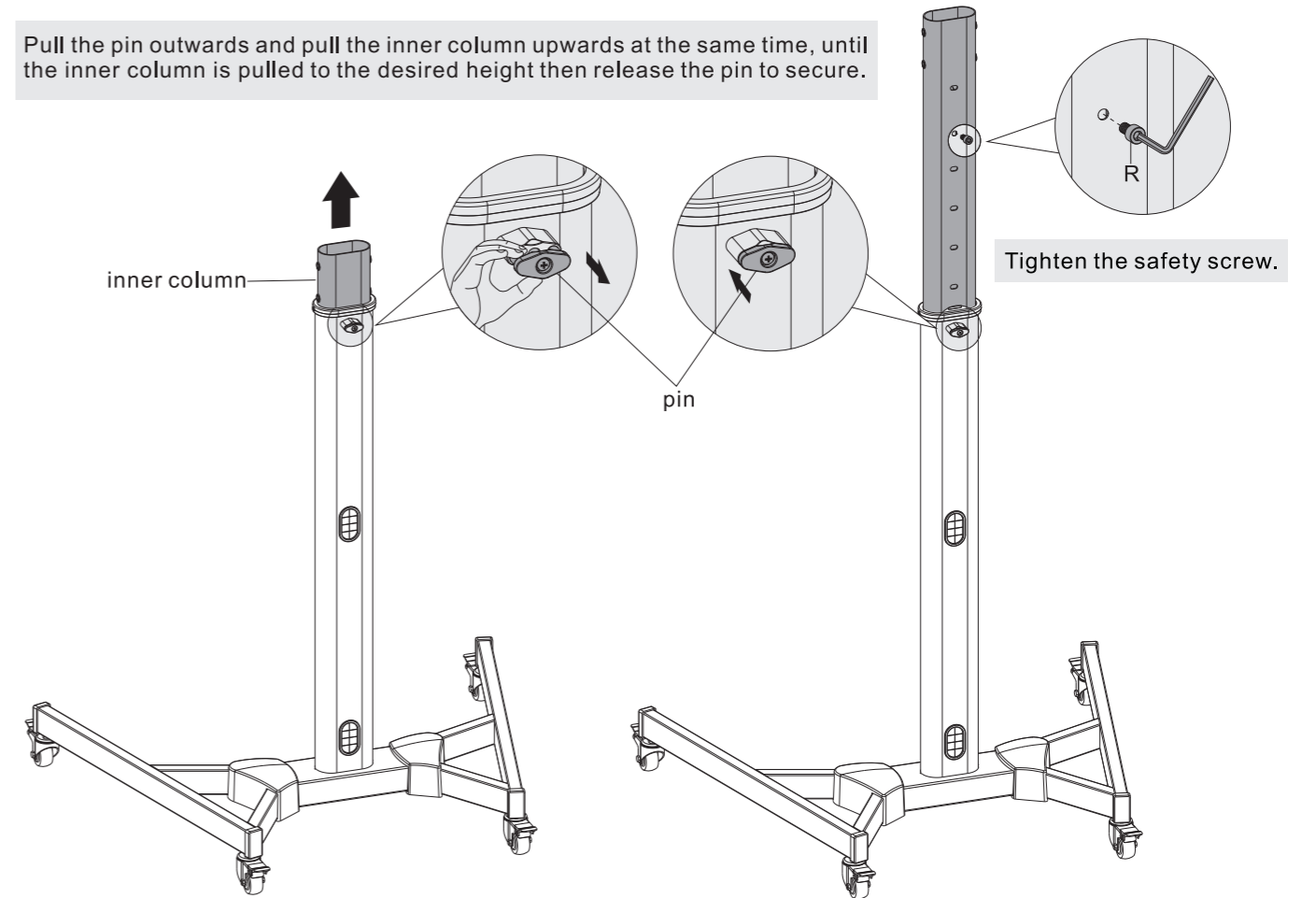
**NOTE:** Lock the brakes on the casters to avoid any sudden movements during installation.  
Each caster can be adjusted independently for fine tuning adjustments. Slightly turn the nut to lower or raise the base.

## 2. Attaching the Column to the Base

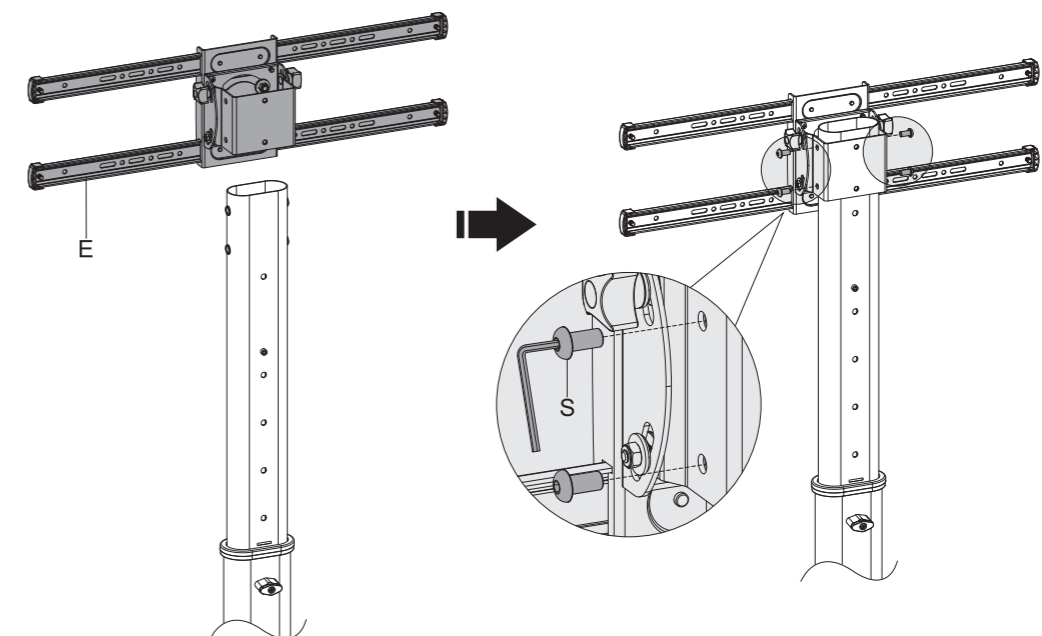


Attach the column to the base using the screws and washers.

Pull the pin outwards and pull the inner column upwards at the same time, until the inner column is pulled to the desired height then release the pin to secure.

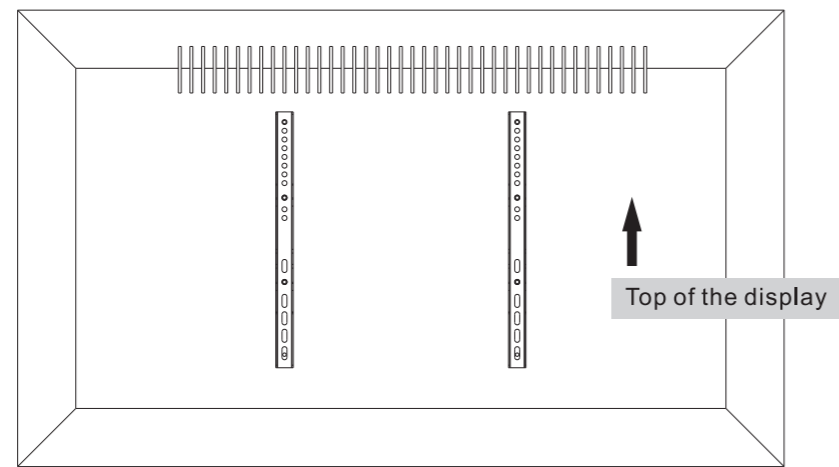


## 3. Attaching the Universal Plate to the Column

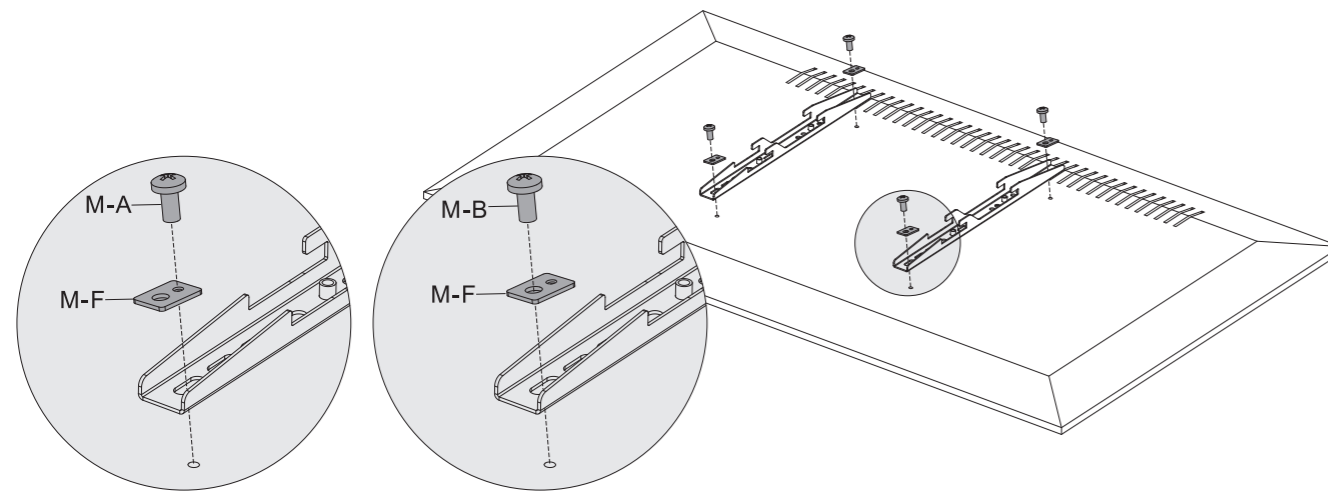
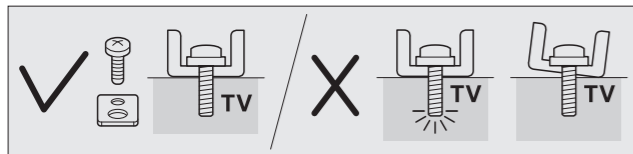


Attach the universal plate to the column using the appropriate screws.

## 4. Installing the Adapter Brackets

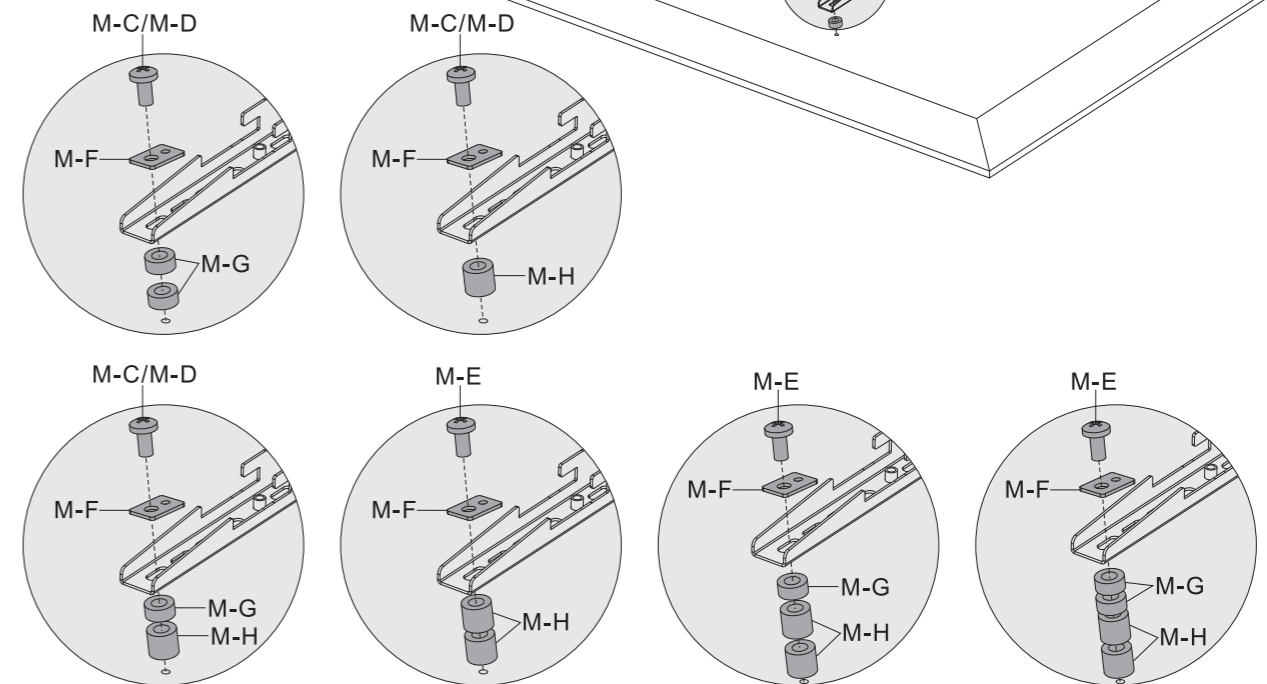
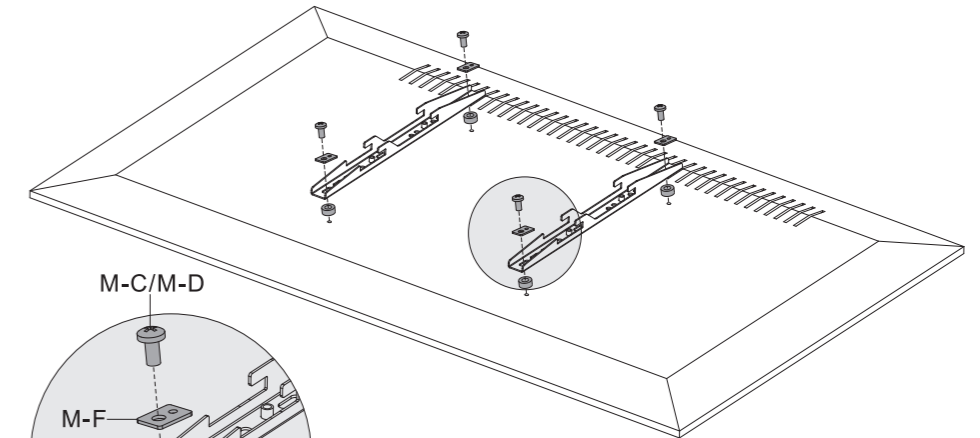
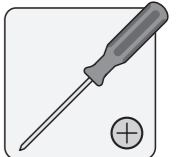
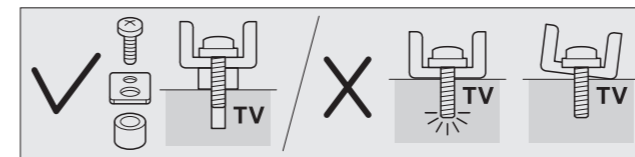


### 4-1 For Flat Back Screens



<b>M-A</b>			<b>M-B</b>		
<b>M-F</b>					

### 4-2. For Bump-out or Recessed Back Screens



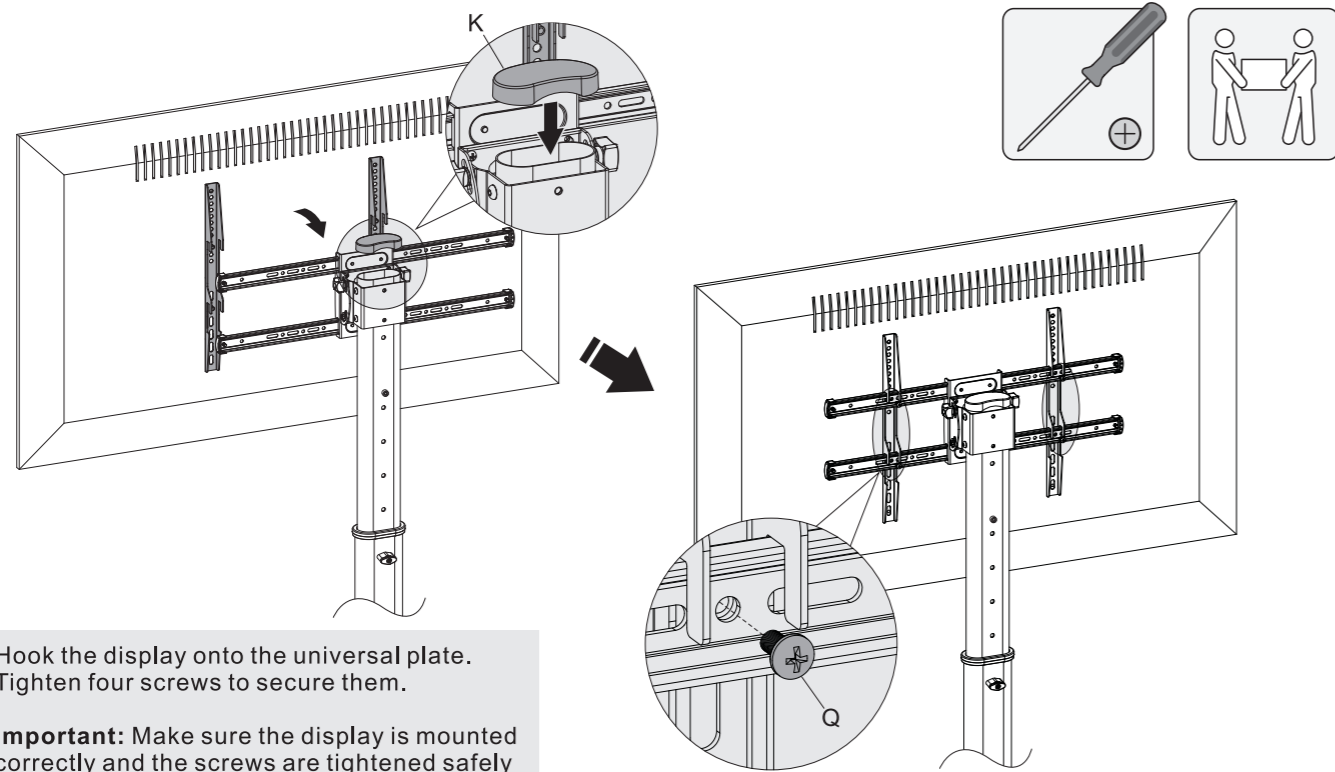
<b>M-C</b>			<b>M-D</b>		
<b>M-E</b>			<b>M-F</b>		
<b>M-G</b>			<b>M-H</b>		

**Note:** Choose the appropriate screws, washers and spacers (if necessary) according to the type of screen.  
 • Position the adapter brackets as close as possible to the center of the display.  
 • Screw the adapter brackets onto the display.

**Tighten all screws but do not over tighten.**



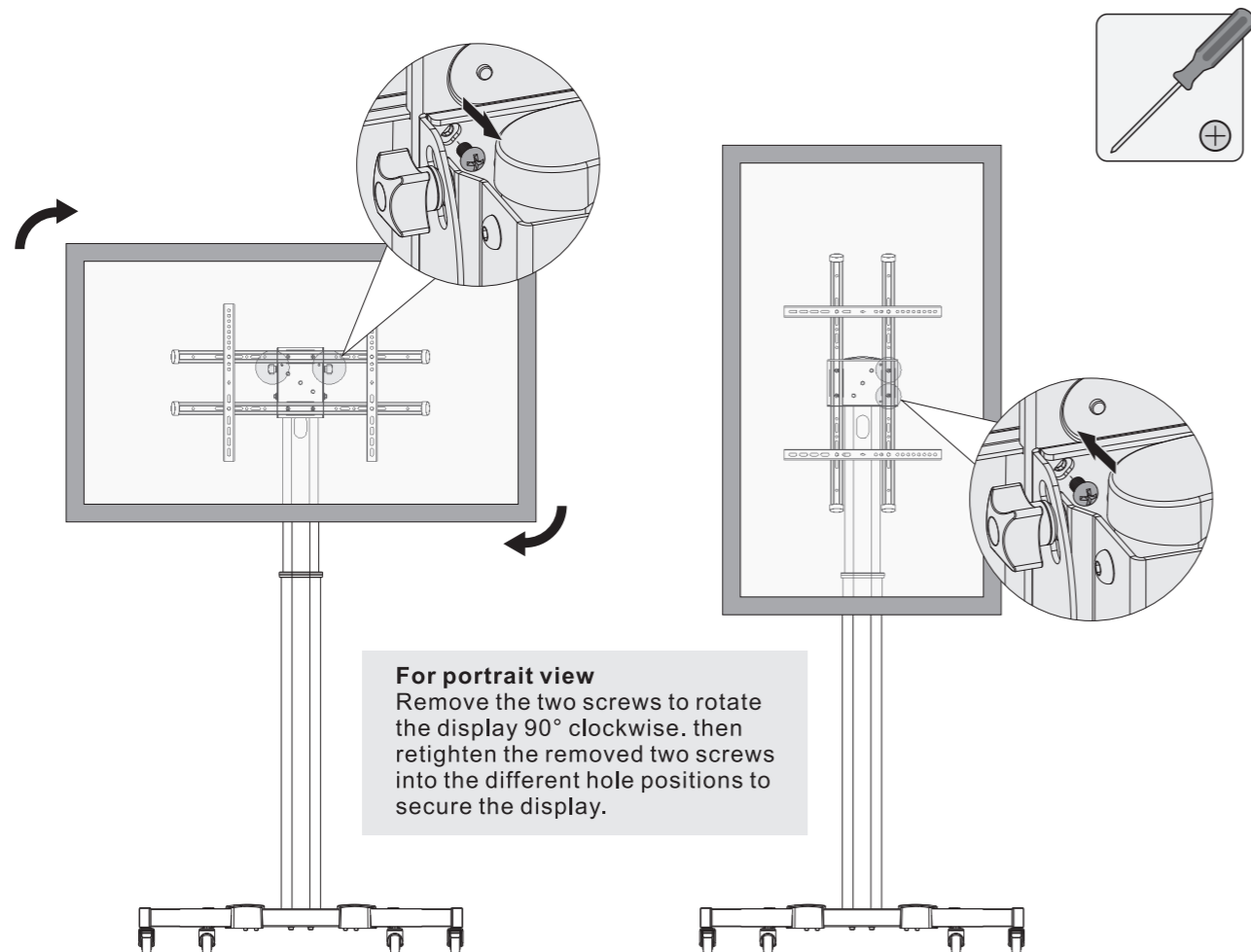
## 5. Hanging the Display onto the Universal Plate



Hook the display onto the universal plate. Tighten four screws to secure them.

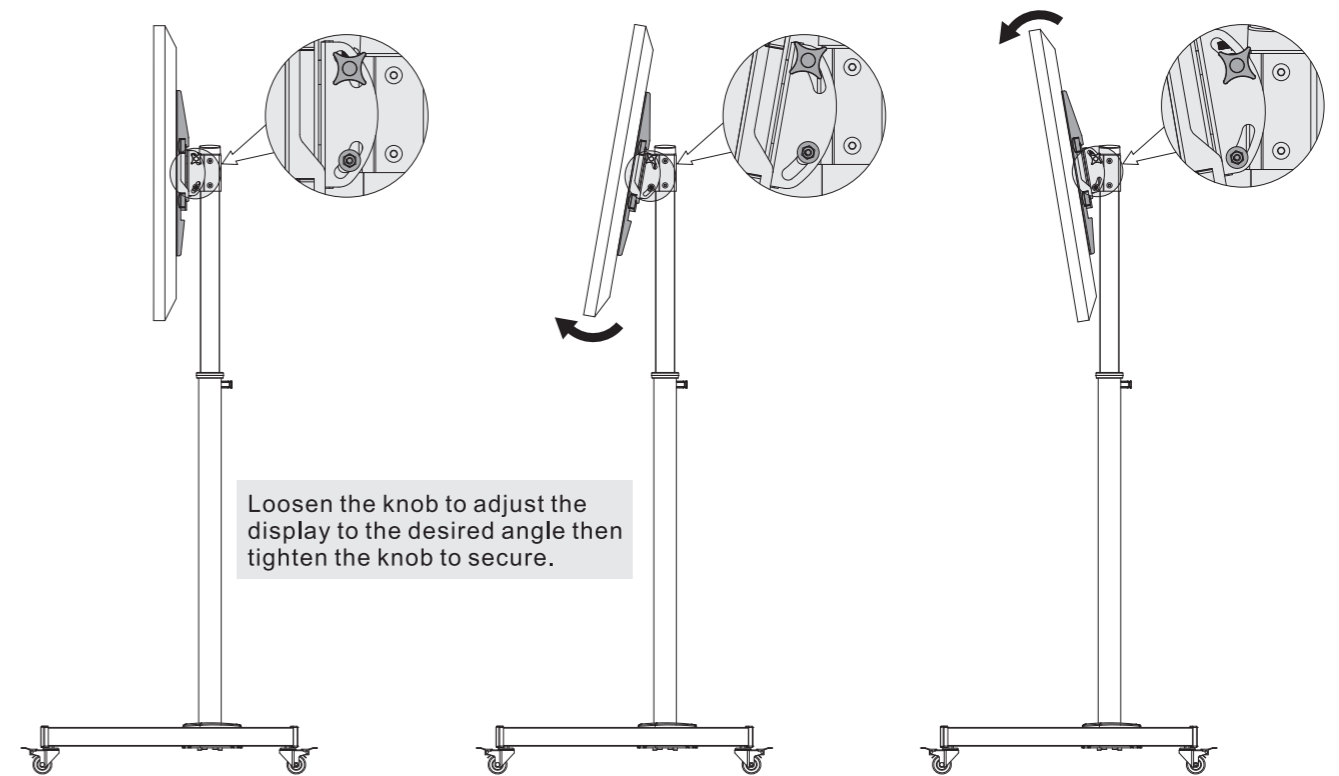
**Important:** Make sure the display is mounted correctly and the screws are tightened safely before releasing the display.

## 6. For Landscape or Portrait View

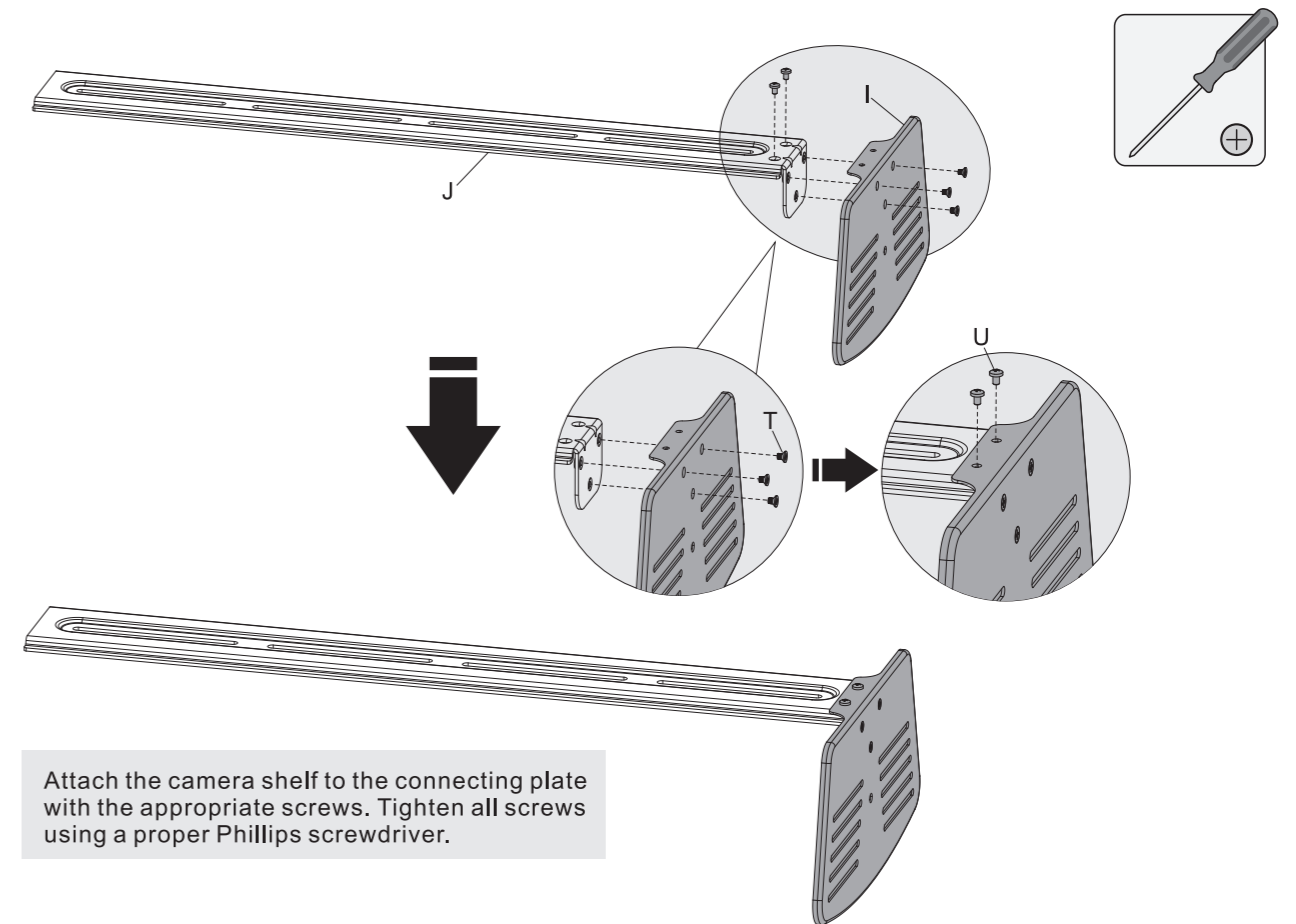


**For portrait view**  
Remove the two screws to rotate the display 90° clockwise. then retighten the removed two screws into the different hole positions to secure the display.

## 7. Angle Adjustment

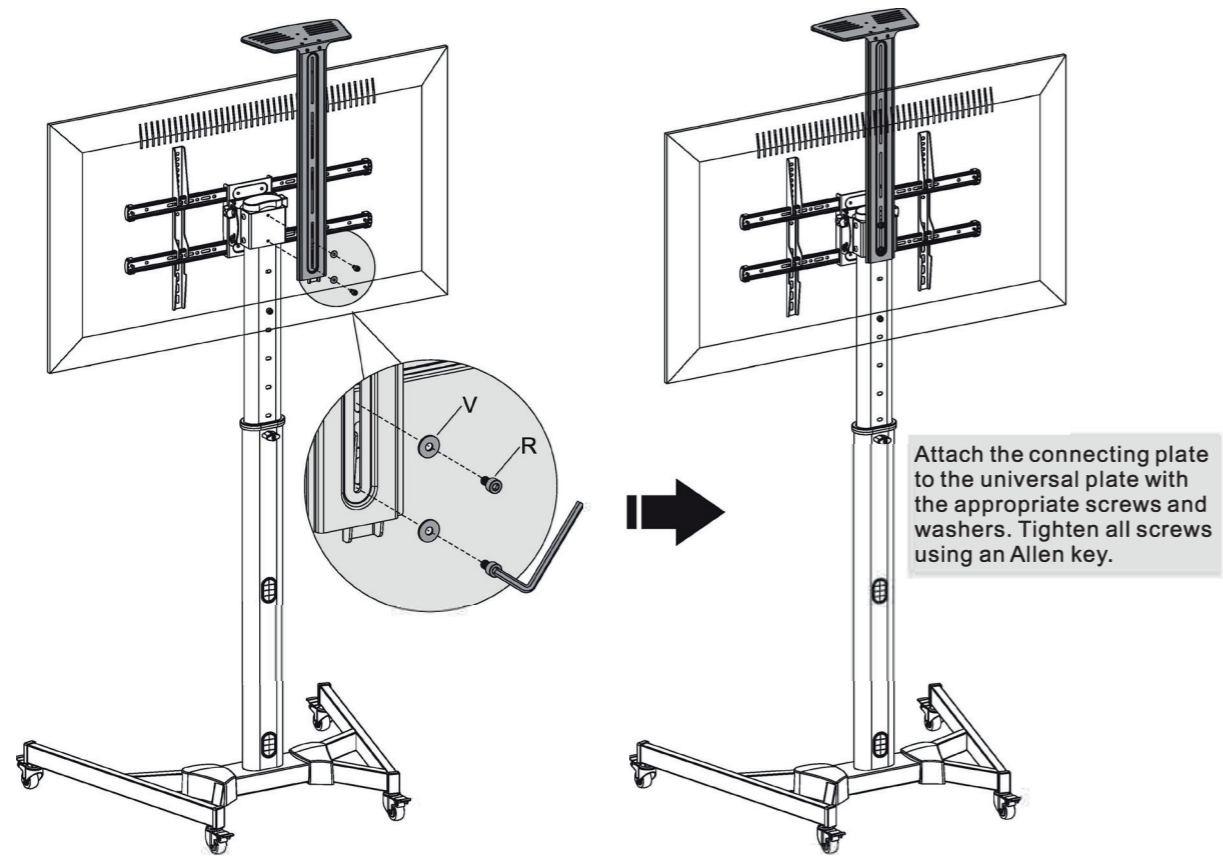


## 8. Installing the Camera Shelf



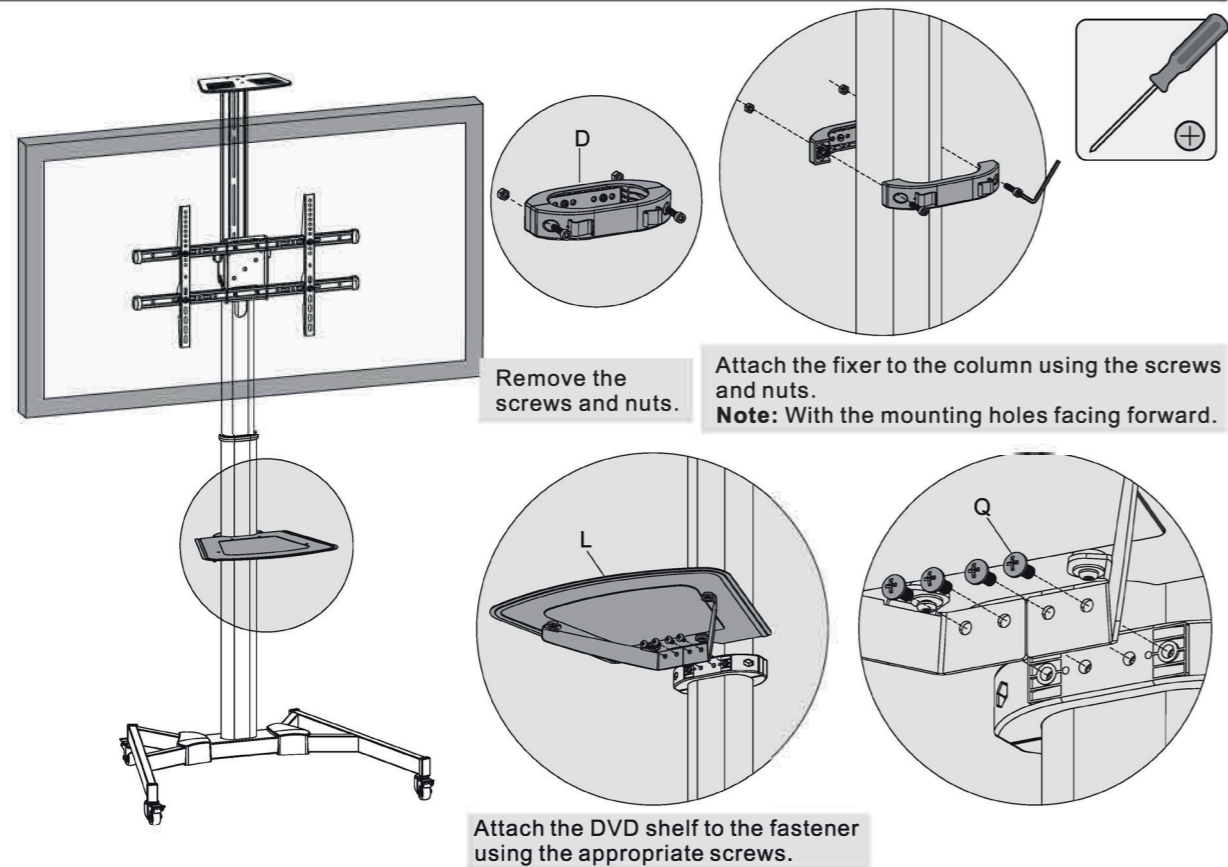
Attach the camera shelf to the connecting plate with the appropriate screws. Tighten all screws using a proper Phillips screwdriver.

## 9. Installing the Shelf



Attach the connecting plate to the universal plate with the appropriate screws and washers. Tighten all screws using an Allen key.

## 10. Installing the Cable Covers

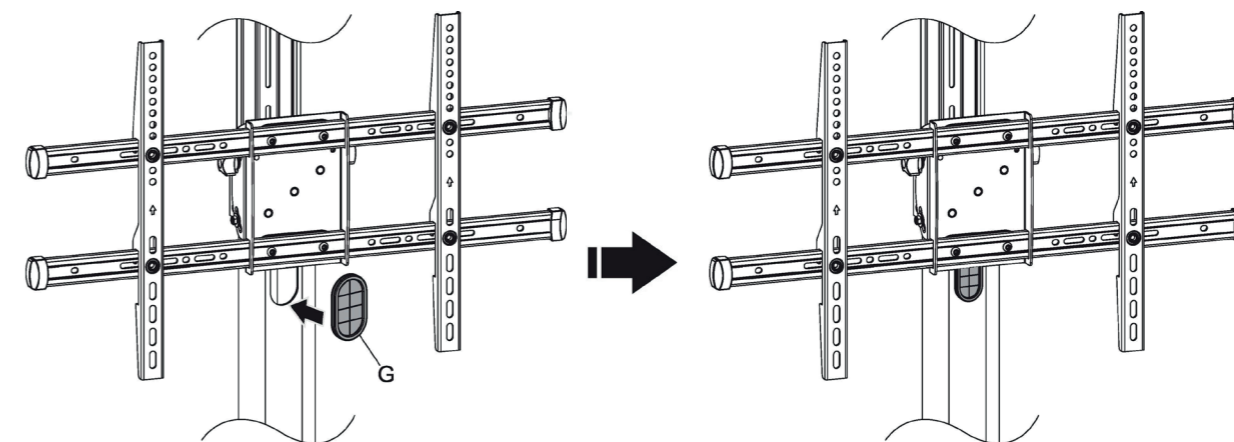


Remove the screws and nuts.

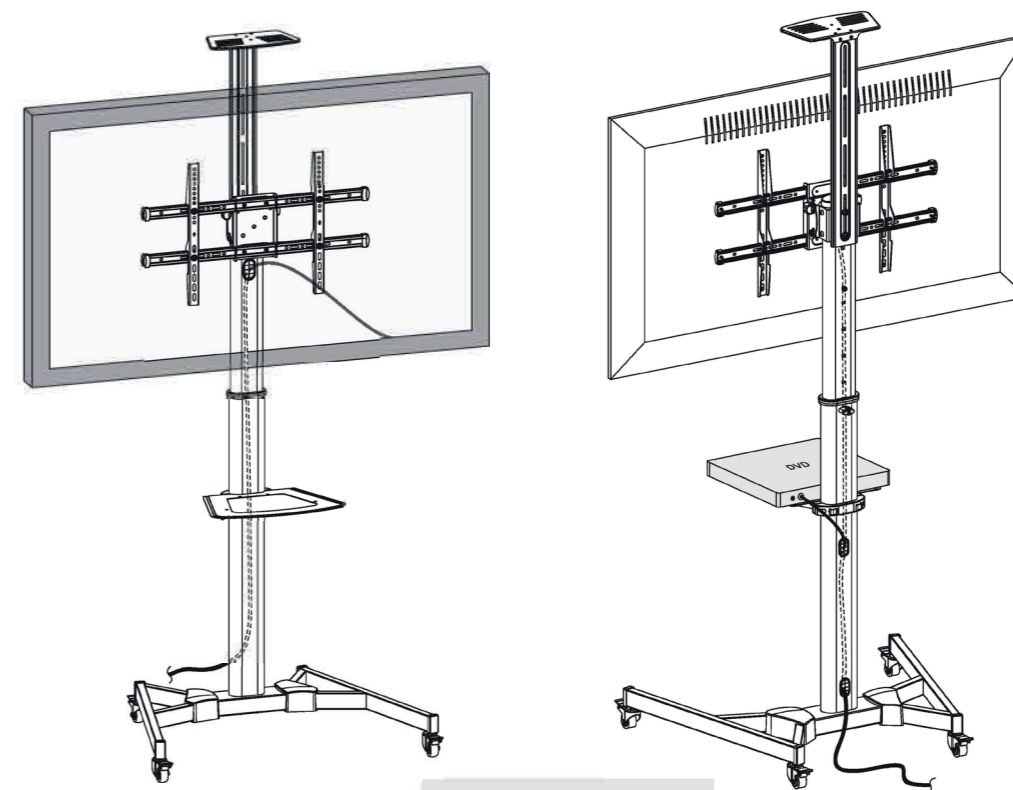
Attach the fixer to the column using the screws and nuts.  
**Note:** With the mounting holes facing forward.

Attach the DVD shelf to the fastener using the appropriate screws.

## 11. Cable Management



## 12. Cable Management



Route the cables through the cable covers.



### Maintenance

- Check that the bracket is secure and safe to use at regular intervals (at least every three months).
- Please contact your reseller if you have any questions.

[www.act-connectivity.com](http://www.act-connectivity.com)