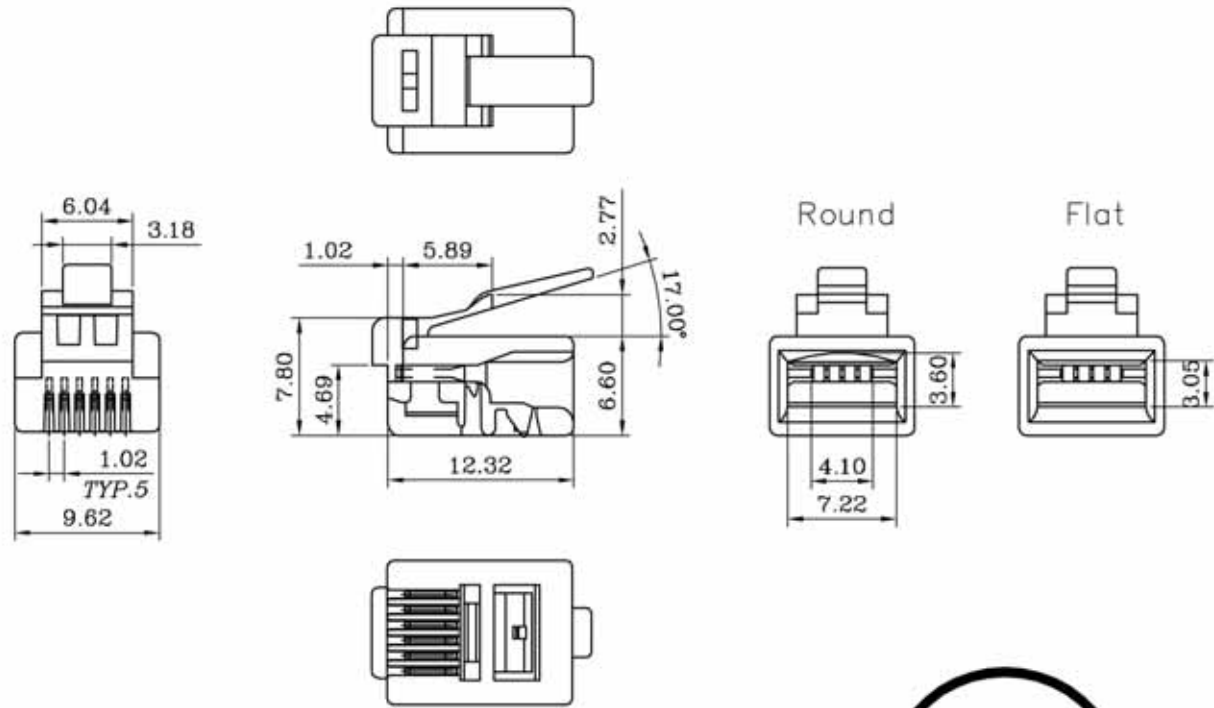


REV	DATE	MODIFICATION	DRAWN
	2010/08/02		

A
B
C
D



SPECIFICATIONS

1.ELECTRICAL:

UL APPLICATIONS: 250 VOLTS AC MAX., AT 2 AMPS.
 DIELECTRIC WITHSTANDING VOLTAGE : 500 VOLTS AC.
 INSULATION RESISTANCE: 100 M Ω.
 TERMINATION: RESISTANCE 20m Ω MAX AFTER ENVIRONMENTAL TESTING.

2.MECHANICAL:

CABLE-TO-PLUG TENSILE STRENGTH : 20POUND MIN.
 DURABILITY : 200 MATING CYCLES.

3.MATERIAL & FINISH:

HOUSING: POLYCARBONATE, UL94V-2 OR UL94V-0.
 COLOR: TRANSPARENT OR OTHER COLOR ARE AVAILABLE.
 CONTACT BLADE: COPPER ALLOY.
 CONDUCTOR : STRANDED & SOLID WIRE , 24AWG, 26 AWG.
 GOLD PLATING: 3u"-50u",ARE AVAILABLE.



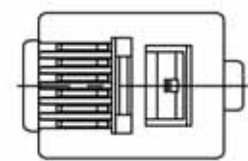
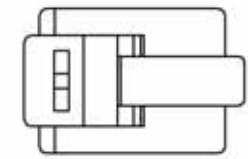
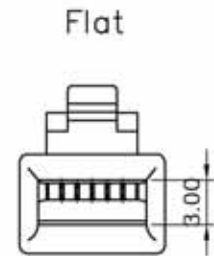
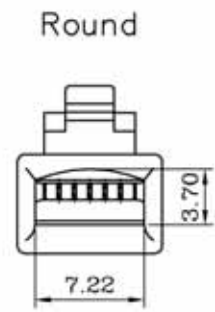
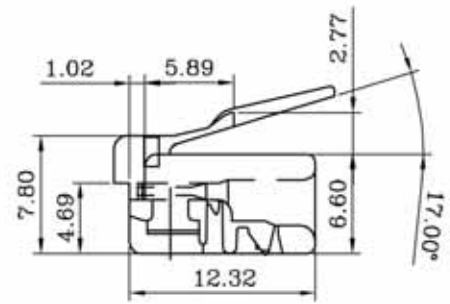
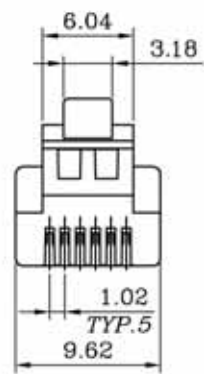
BLADE:	E				
Drawing			CABLE TYPE	ROUND	
Mark	✓		Mark	✓	
GOLD PLATING					50u"
Mark					✓

AC			
DIMENSION IN mm (Inch) TOLERANCE UNLESS OTHERWISE SPECIFIED		MATERIAL PC	DWG. NO. TD104R
.X±0.20	.X*±5*	TITLE	
.XX±0.10	.XX*±2*	DRAWN LiJing	
APPROVAL 	CHECKED 	SCALE 2/1	SHEET 1/1
		PROJ. 	REV A

1 2 3 4 5 6 7

REV	DATE	MODIFICATION	DRAWN
	25/12/09		

A
B
C
D



SPECIFICATIONS

1.ELECTRICAL:

UL APPLICATIONS: 250 VOLTS AC MAX., AT 2 AMPS.
 DIELECTRIC WITHSTANDING VOLTAGE : 500 VOLTS AC.
 INSULATION RESISTANCE: 100 M Ω.
 TERMINATION: RESISTANCE 20m Ω MAX AFTER ENVIRONMENTAL TESTING.

2.MECHANICAL:

CABLE-TO-PLUG TENSILE STRENGTH : 20POUND MIN.
 DURABILITY : 200 MATING CYCLES.

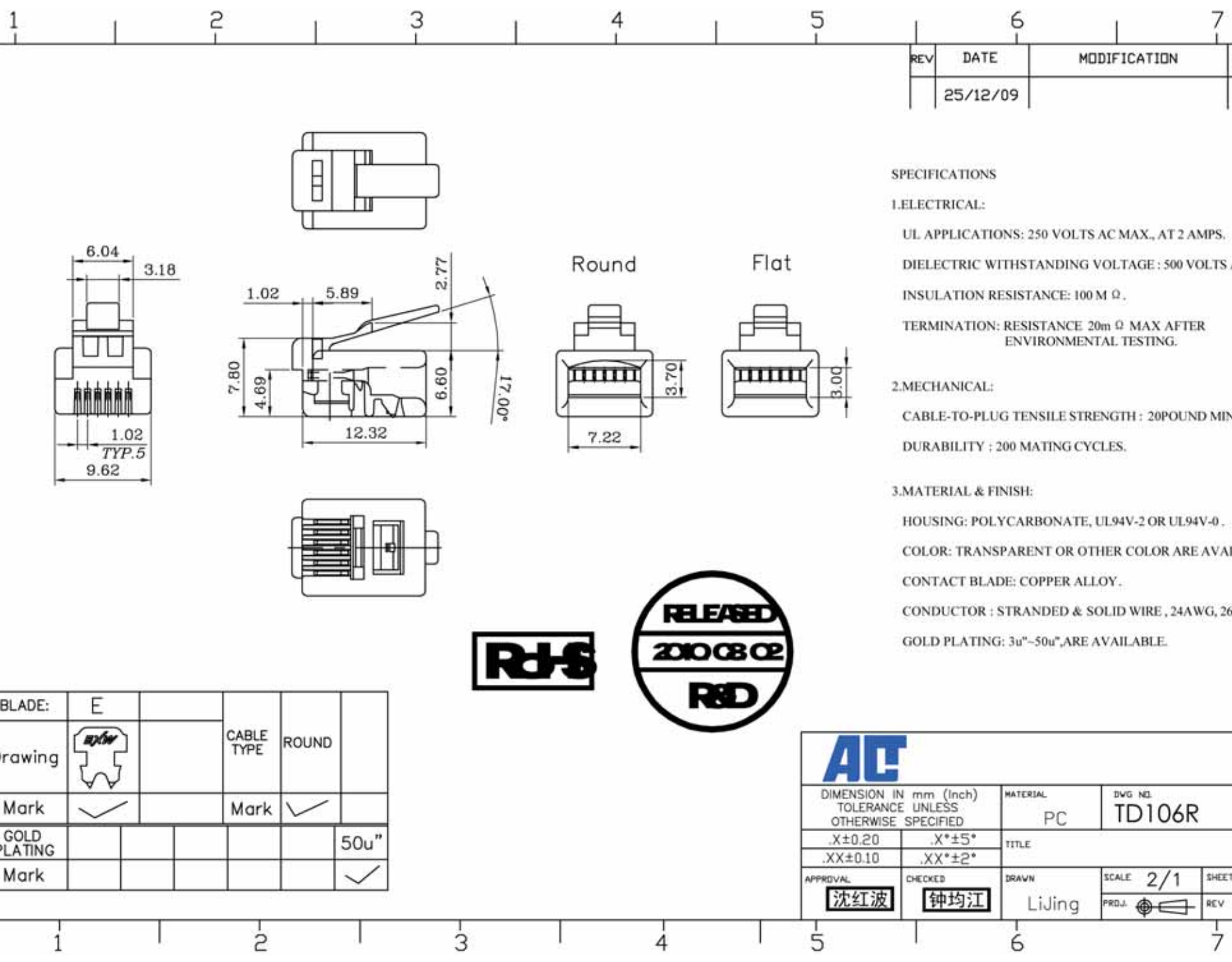
3.MATERIAL & FINISH:

HOUSING: POLYCARBONATE, UL94V-2 OR UL94V-0.
 COLOR: TRANSPARENT OR OTHER COLOR ARE AVAILABLE.
 CONTACT BLADE: COPPER ALLOY.
 CONDUCTOR : STRANDED & SOLID WIRE , 24AWG, 26 AWG.
 GOLD PLATING: 3u"-50u", ARE AVAILABLE.



BLADE:	E				
Drawing			CABLE TYPE	ROUND	
Mark	✓		Mark	✓	
GOLD PLATING					50u"
Mark					✓

AC			
DIMENSION IN mm (Inch) TOLERANCE UNLESS OTHERWISE SPECIFIED		MATERIAL PC	DWG. NO. TD106R
.X±0.20	.X*±5*	TITLE	
.XX±0.10	.XX*±2*		
APPROVAL 	CHECKED 	DRAWN LiJing	SCALE 2/1 SHEET 1/1
		PROJ.	REV A



REV	DATE	MODIFICATION	DRAWN
	25/12/09		

A

B

C

D

A

B

C

D

SPECIFICATIONS

1.ELECTRICAL:

UL APPLICATIONS: 250 VOLTS AC MAX., AT 2 AMPS.

DIELECTRIC WITHSTANDING VOLTAGE : 500 VOLTS AC.

INSULATION RESISTANCE: 100 M Ω .TERMINATION: RESISTANCE 20m Ω MAX AFTER ENVIRONMENTAL TESTING.

2.MECHANICAL:

CABLE-TO-PLUG TENSILE STRENGTH : 20POUND MIN.

DURABILITY : 200 MATING CYCLES.

3.MATERIAL & FINISH:

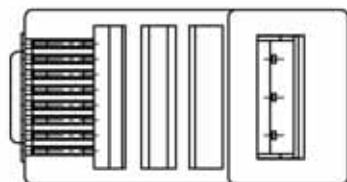
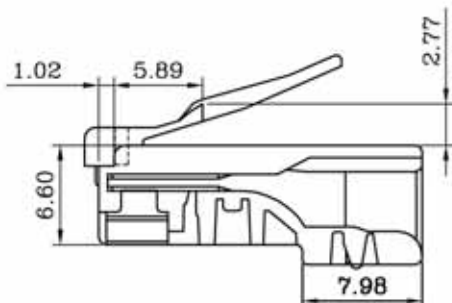
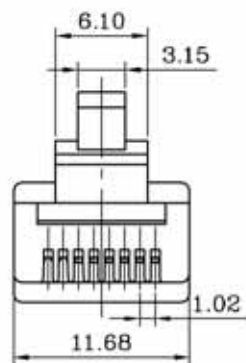
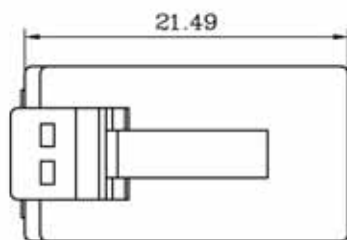
HOUSING: POLYCARBONATE, UL94V-2 OR UL94V-0 .

COLOR: TRANSPARENT OR OTHER COLOR ARE AVAILABLE.

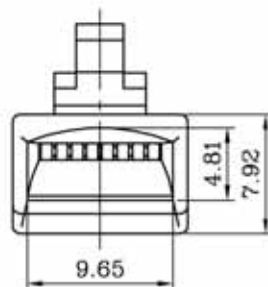
CONTACT BLADE: COPPER ALLOY .

CONDUCTOR : STRANDED & SOLID WIRE , 24AWG, 26 AWG.

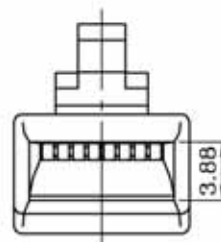
GOLD PLATING: 3u"-50u", ARE AVAILABLE.



Round



Flat



BLADE:	E				
Drawing			CABLE TYPE	ROUND	
Mark	✓		Mark	✓	
GOLD PLATING					
Mark					✓

AC			
DIMENSION IN mm (Inch) TOLERANCE UNLESS OTHERWISE SPECIFIED		MATERIAL PC	DWG NO. TD108R
.X±0.20	.X°±5°	TITLE	
.XX±0.10	.XX°±2°		
APPROVAL 	CHECKED 	DRAWN LiJing	SCALE 2/1 SHEET 1/1
		PROJ.	REV A

1

2

3

4

5

6

7