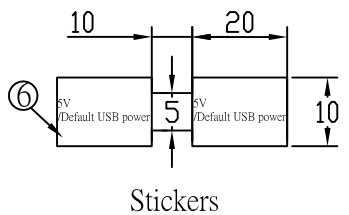
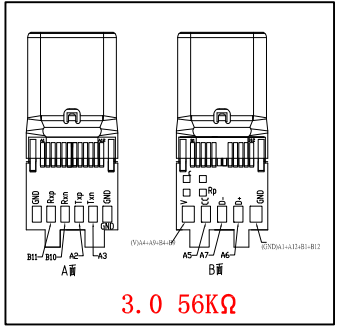


USB3.0 AM(Nickel plated)
Black molding , tooling NO.:488

USB 3.1 CM (Nickel plated)
Black molding:1590
TOL:±0.3mm



Stickers



3.0 56KΩ

OPEN/SHORT TEST: 100% TEST.
INSULATION: 5M.

CONTACTS:

P1	1	2	3	4+7+64	5	6	8	9
PCB	VBUS	A7	A6	GND	A3	A2	B10	B11
P2	A4+B4+A9+B9	A7	A6	A1+B1+A12+B12+64	A3	A2	B10	B11
Wire	Red	Green	White	Drain	Blue	Yellow	Orange	Purple

Voltage :5V Max 3A
Load current: Default USB Power

⑥	A light adhesive stickers:50*10mm(Black words on the White background)	1PCS
⑤	PE	12g
④	45P Black PVC	25g
③	USB 3.0AM(Blue insulator , Nickel plated)	1PCS
②	USB3.1 CM 3.0,56K , 10NF(Black Insulator,Nickel Plated)	1PCS
①	UL2725 (32#*1P+D+AL+Mylar)*2+32#*1P+24#*1C+2D+AL+B(16*5/0.10TA) OD=4.0mm Black PVC Jacket.	1PCS
No.	Description	Qty

Company		Goods Code		Draw	QMQ	Date	2016.03.07
ITEM NO.	SB0012	Drawing Evidence		Check		Date	
Goods NO.				Approval		Date	
Original NO.		Unit(mm)					



D		
C		
B		
VER. A	REVISE	Date