

SCALE 1/2



SCALE 1/2

### Specification :

#### Material :

1. Case : ABS, UL 94V-0.
2. Metal Cover : SECC, 0.6mm thickness.
3. RJ45 Jack Housing : PBT+Glass Fiber, UL 94V-0, Black color.
4. Contact Bracket : PBT+Glass Fiber, UL 94V-0, Black color.
5. RJ45 Jack :
  - 5-1. Material : Phosphor Bronze with Nickel plated.
  - 5-2. Finish : 50 micro-inch Gold plated on Plug contact area.
6. RJ45 Jack Shield : Bronze with Nickel plated.
7. IDC :
  - 7-1. IDC Housing : PC+Glass Fiber, UL 94V-2.
  - 7-2. IDC Terminal : Phosphor Bronze with Tin plated.
8. "U" Clip : Bronze with Nickel plated, 0.5mm thickness
9. Screw : M2.0x6.0xφ3.3mm.
10. PCB : FR4, UL 94V-0
11. Screw : M3.5x16.0xφ6.0mm.

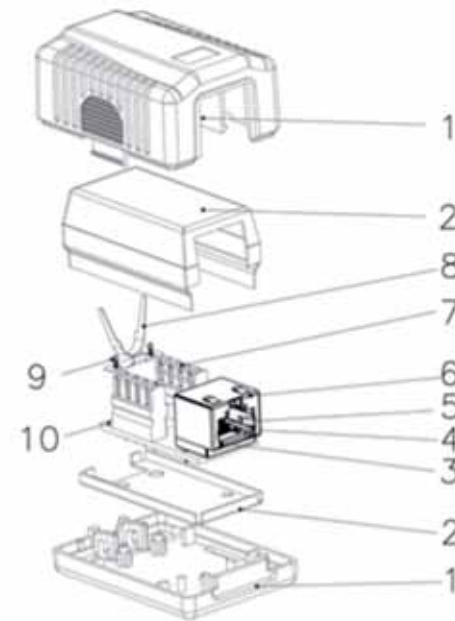
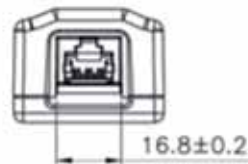
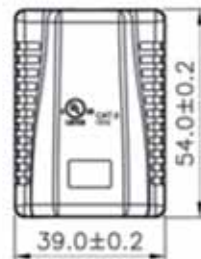
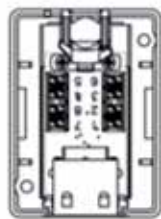
#### Performance :

- a. T568A & T568B wiring printing on IDC.
- b. Insertion force : 30N max. (IEC 60603-7-5).
- c. Retention strength : 7.7 kg between Jack and Plug.
- d. Operating temperature : -10°C to 60°C. (ISO/IEC 11801, ANSI/TIA/EIA 568 B.2)
- e. Life(mating cycles) :
  - \*Jack : 750 cycles min. (ISO/IEC 11801, IEC 60603-7-5).
  - \*IDC : Suitable for 22-26 AWG stranded and solid wire, compatible with both 110 & Krone punch down tools.
- f. The Cat.5e transmission performance is in compliance with the ANSI/TIA/EIA 568 B.2 standard.

GENERAL TOLERANCE OF DIMENSIONS X.XXX ±0.005 X.XX ±0.05 X.X ±0.1	DRAWING	11.JAN.2011	WENJUN	<b>ACE</b>	
	CHECK	11.JAN.2011	JANE		
	APPROVAL	11.JAN.2011	JAIMY		
		DATE	NAME		FA5005
	SCALE	1/1 (A4)	UNIT	mm	DES.: CAT.5E FULL SHIELDED BOX
	DRAWING NO.		DRAWING CLASSIFICATION		
			S	SHEET	1 OF 1



A4



SCALE 1/2



SCALE 1/2

### Specification :

#### Material :

1. Case : ABS, UL 94V-0.
2. Metal Cover : SECC, 0.6mm thickness.
3. RJ45 Jack Housing : PBT+Glass Fiber, UL 94V-0, Black color.
4. Contact Bracket : PBT+Glass Fiber, UL 94V-0, Black color.
5. RJ45 Jack Contact :
  - 5-1. Material : Phosphor Bronze with Nickel plated.
  - 5-2. Finish : 50 micro-inch Gold plated on Plug contact area.
6. RJ45 Jack Shield : Bronze with Nickel plated.
7. IDC :
  - 7-1. IDC Housing : PC+Glass Fiber, UL 94V-2.
  - 7-2. IDC Terminal : Phosphor Bronze with Tin plated.
8. "U" Clip : Bronze with Nickel plated, 0.5mm thickness
9. Screw : M2.0x6.0xφ3.3mm.
10. PCB : FR4, UL 94V-0
11. Screw : M3.5x16.0xφ6.0mm.

#### Performance :

- a. T568A & T568B wiring printing on IDC.
- b. Insertion force : 30N max. (IEC 60603-7-5).
- c. Retention strength : 7.7 kg between Jack and Plug.
- d. Operating temperature : -10°C to 60°C. (ISO/IEC 11801, ANSI/TIA/EIA 568 B.2)
- e. Life(mating cycles) :
  - \*Jack : 750 cycles min. (ISO/IEC 11801, IEC 60603-7-5).
  - \*IDC : Suitable for 22-26 AWG stranded and solid wire, compatible with both 110 & Krone punch down tools.
- f. The Cat.6 transmission performance is in compliance with the ANSI/TIA/EIA 568 B.2-1 standard.

GENERAL TOLERANCE OF DIMENSIONS  
X.XXX ±0.005  
X.XX ±0.05  
X.X ±0.1

DRAWING	11.JAN.2011	WENJUN	<b>ACE</b>
CHECK	11.JAN.2011	JANE	
APPROVAL	11.JAN.2011	JAIMY	
	DATE	NAME	FA6005
SCALE	1/1 (A4)	UNIT	mm
DES.: CAT.6 FULL SHIELDED BOX			
DRAWING NO.			
DRAWING CLASSIFICATION		S	SHEET 1 OF 1

