

1 2 3 4 5 6

A

B

C

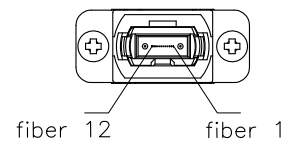
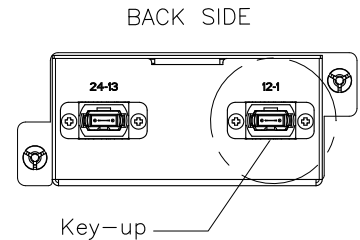
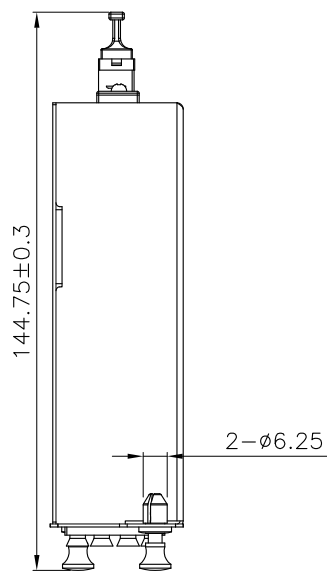
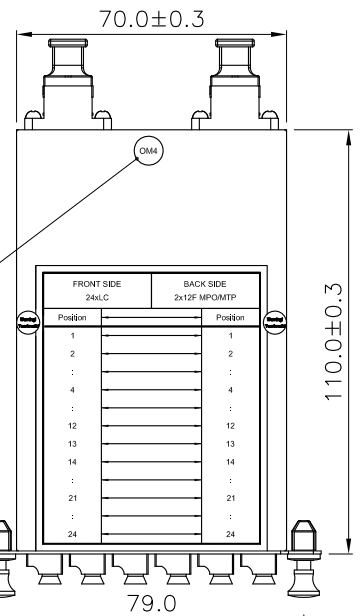
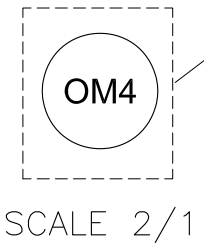
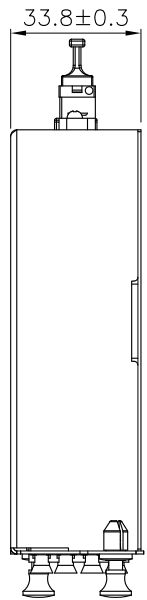
D

A

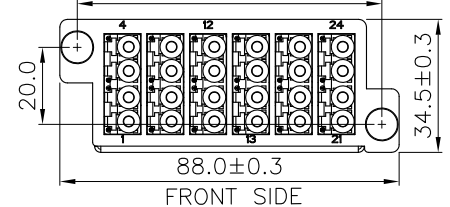
B

C

D



SCALE 1/1



| LC | Straight Version | MTP | LC | Straight Version | MTP |
|----|------------------|-----|----|------------------|-----|
| 1 | ←→ | 1 | 13 | ←→ | 13 |
| 2 | ←→ | 2 | 14 | ←→ | 14 |
| 3 | ←→ | 3 | 15 | ←→ | 15 |
| 4 | ←→ | 4 | 16 | ←→ | 16 |
| 5 | ←→ | 5 | 17 | ←→ | 17 |
| 6 | ←→ | 6 | 18 | ←→ | 18 |
| 7 | ←→ | 7 | 19 | ←→ | 19 |
| 8 | ←→ | 8 | 20 | ←→ | 20 |
| 9 | ←→ | 9 | 21 | ←→ | 21 |
| 10 | ←→ | 10 | 22 | ←→ | 22 |
| 11 | ←→ | 11 | 23 | ←→ | 23 |
| 12 | ←→ | 12 | 24 | ←→ | 24 |

| LC Fiber Number | Jacket Color | Fiber Position | MTP Fiber Number | LC Fiber Number | Jacket Color | Fiber Position | MTP Fiber Number |
|-----------------|--------------|----------------|------------------|-----------------|--------------|----------------|------------------|
| Fiber 1 | Blue | B | Fiber 1 | Fiber 13 | Blue | B | Fiber 13 |
| Fiber 2 | Orange | A | Fiber 2 | Fiber 14 | Orange | A | Fiber 14 |
| Fiber 3 | Green | B | Fiber 3 | Fiber 15 | Green | B | Fiber 15 |
| Fiber 4 | Brown | A | Fiber 4 | Fiber 16 | Brown | A | Fiber 16 |
| Fiber 5 | Gray | B | Fiber 5 | Fiber 17 | Gray | B | Fiber 17 |
| Fiber 6 | White | A | Fiber 6 | Fiber 18 | White | A | Fiber 18 |
| Fiber 7 | Red | B | Fiber 7 | Fiber 19 | Red | B | Fiber 19 |
| Fiber 8 | Black | A | Fiber 8 | Fiber 20 | Black | A | Fiber 20 |
| Fiber 9 | Yellow | B | Fiber 9 | Fiber 21 | Yellow | B | Fiber 21 |
| Fiber 10 | Purple | A | Fiber 10 | Fiber 22 | Purple | A | Fiber 22 |
| Fiber 11 | Pink | B | Fiber 11 | Fiber 23 | Pink | B | Fiber 23 |
| Fiber 12 | Aqua | A | Fiber 12 | Fiber 24 | Aqua | A | Fiber 24 |

Specification :

| Adaptor | Type | Color |
|---------|---------------------------------|--------|
| MTP | SC Footprint A Type(Up to Down) | Black |
| LC | Zirconia | Violet |

| | Type |
|----------------------|---|
| Direct Harness (12C) | OM4, 0.9mm Jacket, PVC, 12F MTP+Guide Pin, LC(MM), Low Loss |

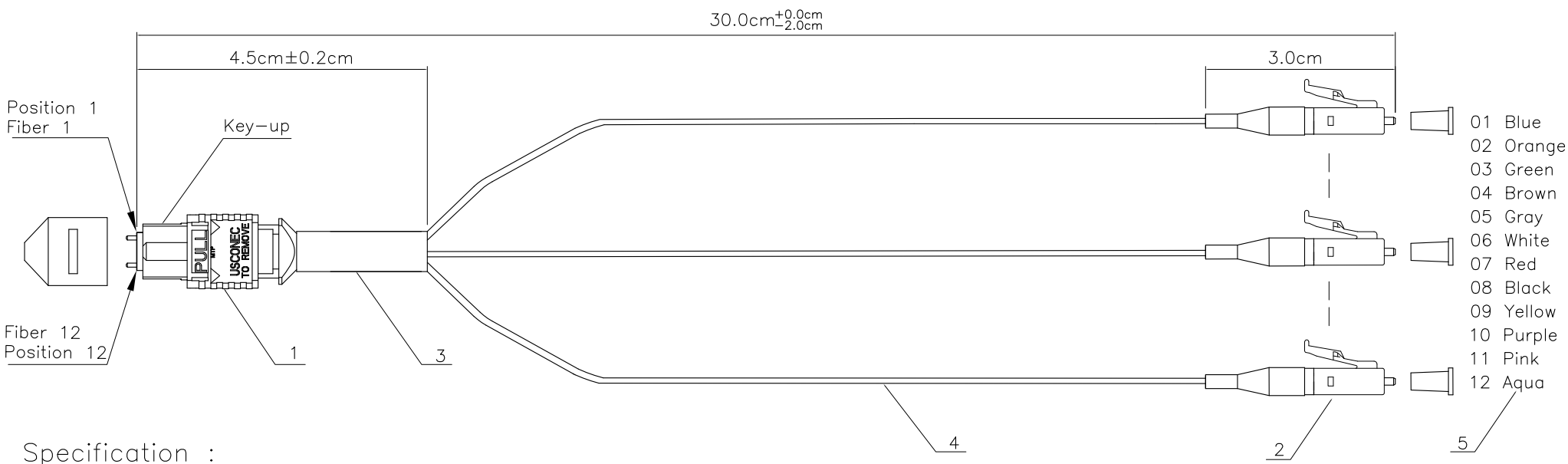
- a. Dimension: 1.36" x 3.46" x 4.33" (34.5 x 88.0 x 110.0mm)
- b. Weight: 0.25kg.
- c. Surface Finished: Painted, BK(RAL9005)

| | | | | |
|--|---|--|------------------|------------|
| GENERAL TOLERANCE OF DIMENSIONS X.XXX ±0.1 X.XX ±0.2 X.X ±0.3 | DRAWING | 28.NOV.2023 | DANIEL | ACT |
| | CHECK | 28.NOV.2023 | DAY | |
| | APPROVAL | 28.NOV.2023 | FRANK | |
| | DATE | NAME | ITEM NO.: FA2052 | |
| | SCALE | 1/2(A4) | UNIT | mm |
| | DES.: HD Cassette Method A&C 2x12F MTP to 24xLC OM4(A1) | | | |
| HSF Spec. | DRAWING NO. | HD Cassette Method A&C 2x12F MTP to 24xLC OM4(SA1) | | A1 |
| RoHS | DRAWING CLASSIFICATION | | S SHEET 1 OF 2 | |

1 2 3 4 5 6

10cm

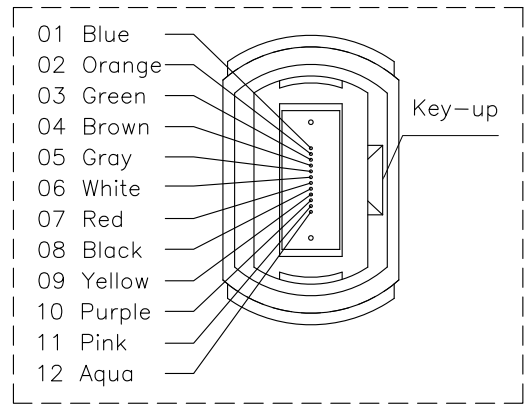
1 2 3 4 5 6



Specification :

Material :

1. Connector Type : MTP Male(With Pin) Connector, Multimode Low Loss.
 - 1-1. Protective Cap : TPR, Black color.
 - 1-2. MT Ferrule : 12 Fibers, PPS, Black color, Multimode Low Loss.
 - 1-3. MTP Housing : PBT, Aqua color.
2. Connector Type : LC Multimode Low Loss, Ivory Color.
 - 2-1. Protective Cap : PE, White color.
 - 2-2. Ferrule : $\varnothing 1.25\text{mm}$, Zirconia, Singlemode.
 - 2-3. LC Housing : PC, Ivory color.
 - 2-4. Strain Relief Boot : PVC, White color.
3. Shrink Tube : 1.5cm, Use Black Heat Shrink Tube.
4. Tubing Type:
 - 4-1. Fiber : OM4 50/125um Multimode.
 - 4-2. 12 tubes Hytrel material, 0.9mm tube of 12 Colors.
5. Fanout MTP(Male) to LC OM4 12C Patch cord 30cm.
 - 1(Blue)/2(Orange)/3(Green)/4(Brown)/5(Gray)/6(White)/7(Red)/8(Black)/9(Yellow)/10(Purple)/11(Pink)/12(Aqua).



Connector Section (SCALE 3/1)

Performance :

- a. Insertion Loss :
 - LC MM Low Loss : < 0.15 dB
 - MTP MM Low Loss : < 0.35 dB
- b. Return Loss :
 - LC MM Low Loss : > 35 dB
 - MTP MM Low Loss : > 20 dB
- c. Fiber Extention(LC) : $-0.05\mu\text{m} < H < +0.05\mu\text{m}$
- d. Fiber overcut(MTP) : 1~3um
- e. Apex Offset : < 50um
- f. Operating Temperature : -20°C to $+70^{\circ}\text{C}$
- g. Storage Temperature : -40°C to $+80^{\circ}\text{C}$

| | | | | |
|--|----------|------------------------|--|---|
| GENERAL TOLERANCE OF DIMENSIONS X.xxx ±0.1 X.xx ±0.2 X.X ±0.3 | DRAWING | 28.NOV.2023 | YMN | ACT |
| | CHECK | 28.NOV.2023 | DAY | |
| | APPROVAL | 28.NOV.2023 | FRANK | |
| | DATE | | NAME | |
| SCALE | 1/5 (A4) | UNIT | mm | DES.: HD Cassette Method A&C 2x12F MTP to 24xLC OM4 |
| HSF Spec. | | DRAWING NO. | HD Cassette Method A&C 2x12F MTP to 24xLC OM4(SA1) | |
| RoHS | | DRAWING CLASSIFICATION | S | SHEET 2 OF 2 |

D

A

B

C

1 2 3 4 5 6 10cm