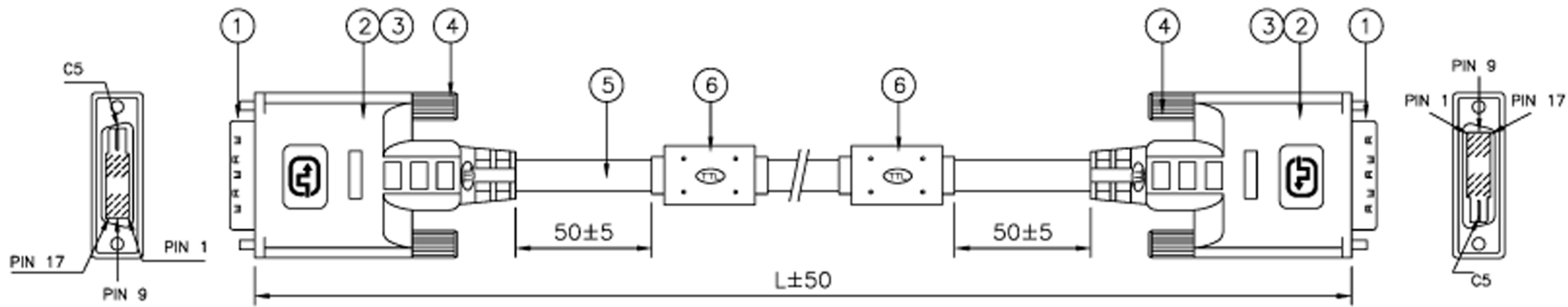


CUSTOMER'S APPROVAL: \_\_\_\_\_ DATE: \_\_\_\_\_

FIRST ARTICLE SAMPLE REQUIRED:  YES,  NO.



PINOUT CONFIGURATION

DVI MALE		DVI MALE	
TMDS DATA 2-	1	1	1
TMDS DATA 2+	2	2	2
TMDS DATA 2 SHIELD	3	3	3
DDC CLOCK	6	6	6
DDC DATA	7	7	7
TMDS DATA 1-	9	9	9
TMDS DATA 1+	10	10	10
TMDS DATA 1 SHIELD	11	11	11
POWER +5V	14	14	14
GROUND (+5V & HV SYNC.)	15	15	15
HOT PLUG DETECT	16	16	16
TMDS DATA 0-	17	17	17
TMDS DATA 0+	18	18	18
TMDS DATA 0 SHIELD	19	19	19
TMDS CLOCK SHIELD	22	22	22
TMDS CLOCK+	23	23	23
TMDS CLOCK-	24	24	24
SHELL		BRAID+DRAIN	

NOTE:

- THIS ITEM CONTAINS PAT. US 6,287,148 B1 RF-BLOK™ SHIELDING DESIGN.
- WIRE MARKING:

E193793 RJ AWM 20276 80°C 30V VW-1  
DVI SINGLE LINK DIGITAL

Customer's P/N	L (mm)
AK3620	2000
AK3621	3000
AK3622	5000
AK3624	10000

UNIT: mm

ITEM	DESCRIPTION	QTY.	UNIT
1	DVI MALE CONNECTOR (18+1)	2	PCS.
2	MOLDED LIGHT GRAY K239 COLOR HOOD	2	PCS.
3	RF-BLOK™	2	PCS.
4	LIGHT GRAY K239 COLOR #4/40 THUMBSCREW	4	PCS.
5	UL20276 (28AWGx1PAIR+AL-FOIL+DRAIN)x4C +(28AWG WIRE)x5C+AL-FOIL/MY+DRAIN+BRAID OVERALL; LIGHT GRAY K239 COLOR PVC JACKET	SEE	DWG.
6	LIGHT GRAY K239 MOLDED FERRITE CORE (17.5x28.5x10)	2	PCS.

REVISED DETAILS

REV.	DESCRIPTION	DATE	REVISED BY

Customer's P/N: SEE TABLE	Revision: ORIG.
RFQ number:	Drawing
Drawn by: CANDY	Scale: None
Checked by:	Date:

**AK3620**

SALES : LIJIAN